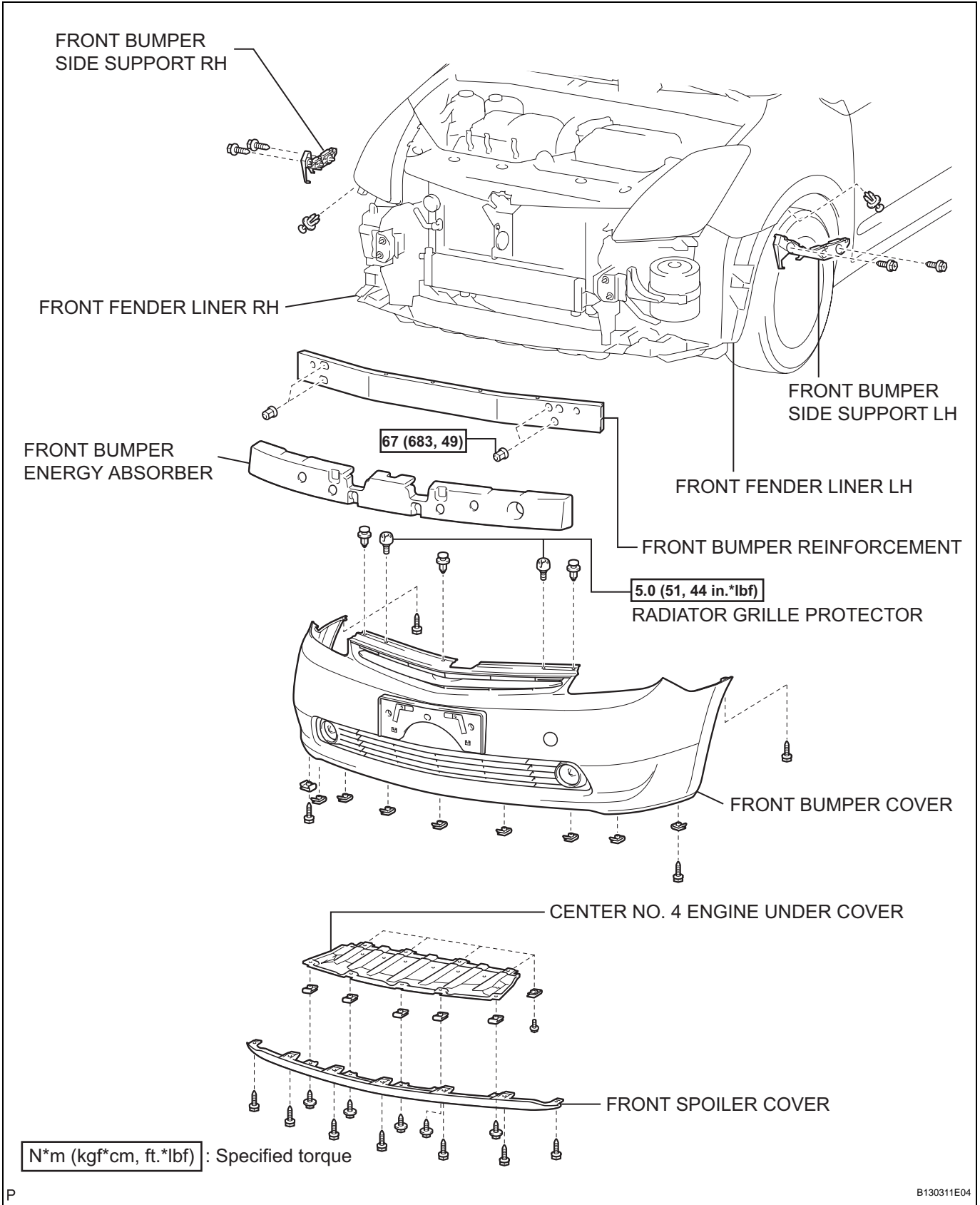
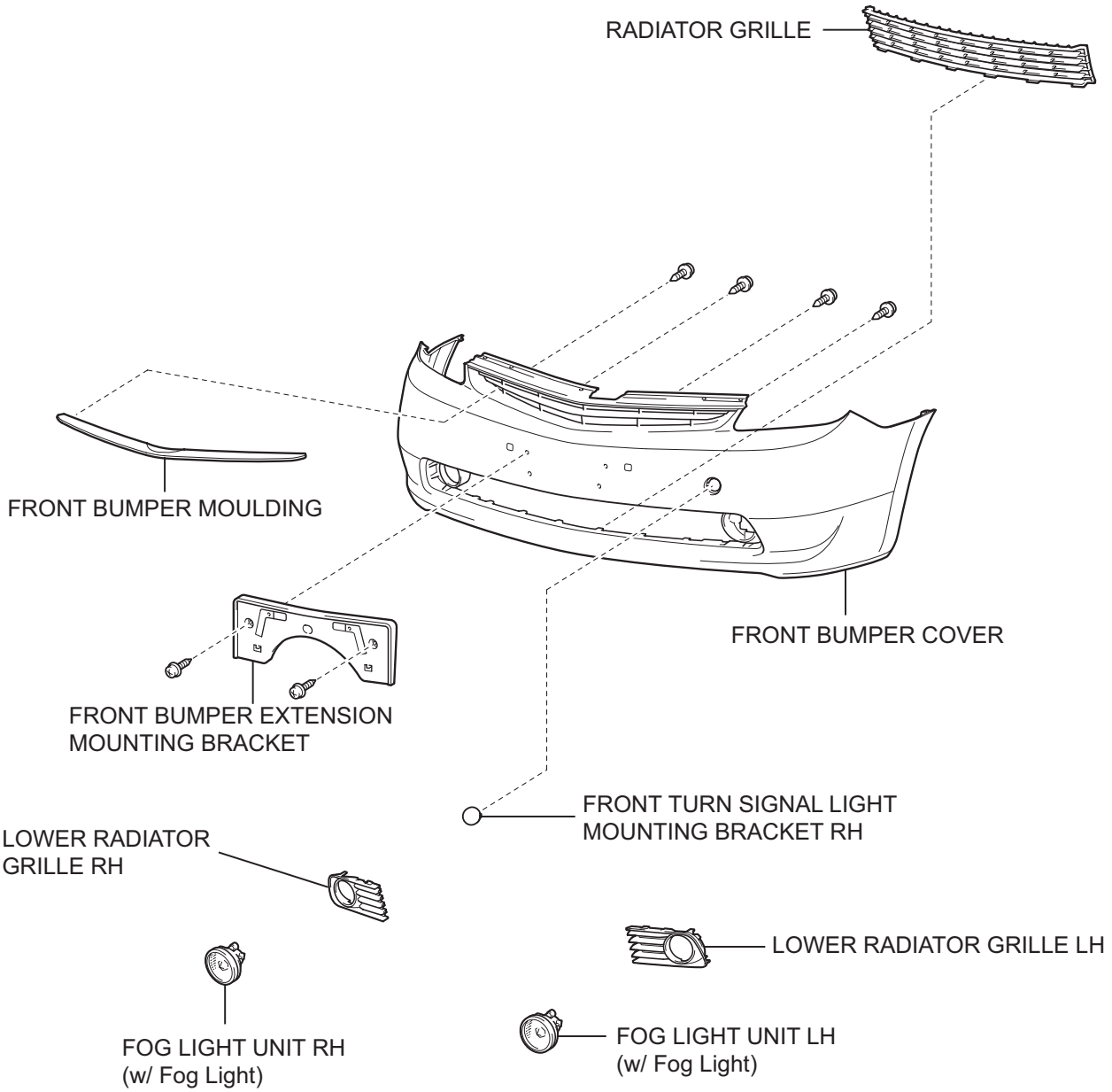


FRONT BUMPER COMPONENTS





ET

REMOVAL

1. **DISCONNECT CABLE FROM NEGATIVE BATTERY TERMINAL**

CAUTION:

Wait at least 90 seconds after disconnecting the cable from the negative (-) battery terminal to prevent airbag and seat belt pretensioner activation.

2. **REMOVE FRONT FENDER LINER LH**

- (a) Using a clip remover, remove the clip.
- (b) Partially remove the fender liner.

HINT:

It is not necessary to fully remove the fender liner. Partially remove it so that the bumper cover can be removed in a later step.

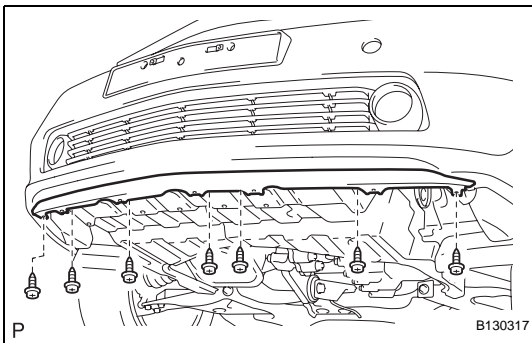
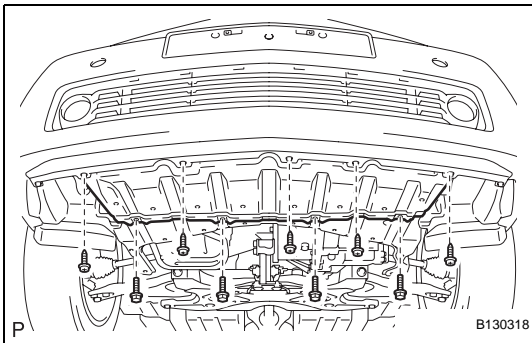
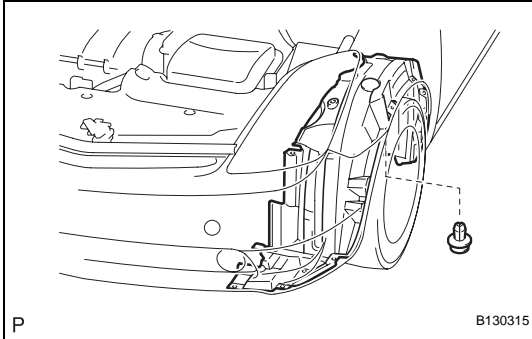
3. **REMOVE FRONT FENDER LINER RH**

HINT:

Use the same procedure described for the LH side.

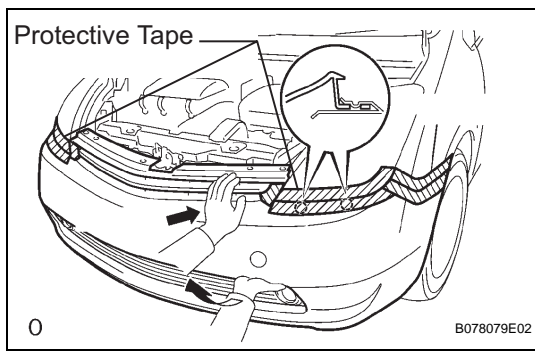
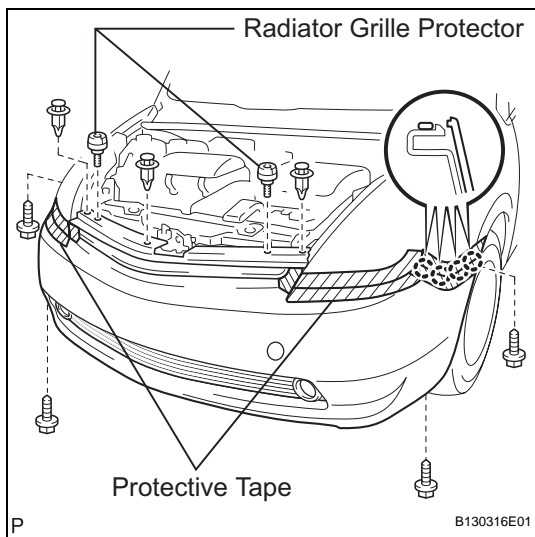
4. **REMOVE CENTER NO. 4 ENGINE UNDER COVER**

- (a) Remove the 5 screws, 4 bolts and under cover.



5. **REMOVE FRONT SPOILER COVER**

- (a) Remove the 7 screws and spoiler cover.



6. REMOVE FRONT BUMPER COVER

- (a) Put protective tape under the front fender.
- (b) Using a clip remover, remove the 3 clips.
- (c) Remove the 2 radiator grille protectors and 4 screws.
- (d) Detach the 8 claws.

- (e) Detach the 4 claws and remove the bumper cover.
 - (1) Hold the front bumper cover on its upper and lower parts with your hands as shown in the illustration.
 - (2) Pull up the front bumper cover's lower part while holding its upper part securely.

NOTICE:

- The claw will not disengage unless the front bumper cover's upper part is securely held.
- Do not forcibly pull up the front bumper. This will deform the claw.

- (f) w/ Fog light:
Disconnect the 2 fog light connectors.

7. REMOVE FRONT BUMPER ENERGY ABSORBER

8. REMOVE FRONT BUMPER REINFORCEMENT

- (a) Using a screwdriver, remove the 4 wire harness clamps.

HINT:

Tape the screwdriver tip before use.

- (b) Remove the 4 nuts and reinforcement.

9. REMOVE FRONT BUMPER SIDE SUPPORT LH

- (a) Remove the 2 screws and side support.

10. REMOVE FRONT BUMPER SIDE SUPPORT RH

- (a) Remove the 2 screws and side support.

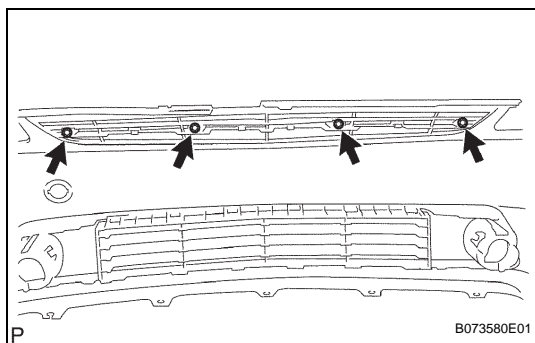
DISASSEMBLY

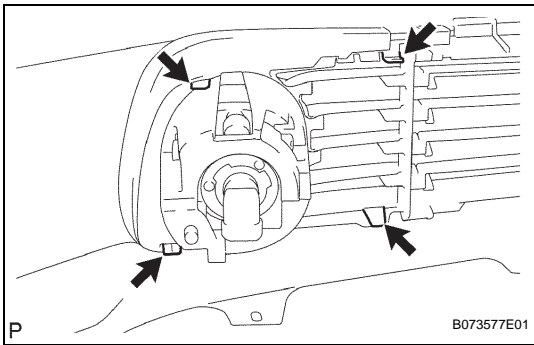
1. REMOVE FRONT BUMPER MOULDING

- (a) Remove the 4 screws.
- (b) Using a screwdriver, detach the 4 claws and remove the moulding.

HINT:

Tape the screwdriver tip before use.





2. REMOVE LOWER RADIATOR GRILLE LH

- (a) Using a screwdriver, detach the 4 claws and remove the grille.

HINT:

Tape the screwdriver tip before use.

3. REMOVE LOWER RADIATOR GRILLE RH

HINT:

Use the same procedure described for the LH side.

4. REMOVE FOG LIGHT UNIT LH (w/ Fog Light) (See page [LI-87](#))

5. REMOVE FOG LIGHT UNIT RH (w/ Fog Light)

HINT:

Use the same procedure described for the LH side.

6. REMOVE RADIATOR GRILLE

- (a) Using a screwdriver, detach the 12 claws and remove the grille.

HINT:

Tape the screwdriver tip before use.

7. REMOVE FRONT TURN SIGNAL LIGHT MOUNTING BRACKET RH

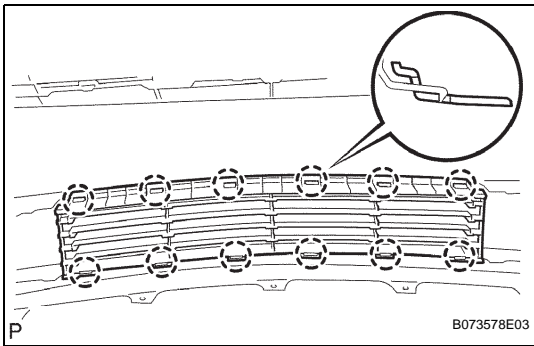
- (a) Using a screwdriver, detach the claws and remove the mounting bracket.

HINT:

Tape the screwdriver tip before use.

8. REMOVE FRONT BUMPER EXTENSION MOUNTING BRACKET

- (a) Remove the 2 screws and mounting bracket.



REASSEMBLY

1. INSTALL FRONT BUMPER EXTENSION MOUNTING BRACKET

(a) Install the mounting bracket with the 2 screws.

2. INSTALL FRONT TURN SIGNAL LIGHT MOUNTING BRACKET RH

(a) Attach the claws to install the mounting bracket.

3. INSTALL RADIATOR GRILLE

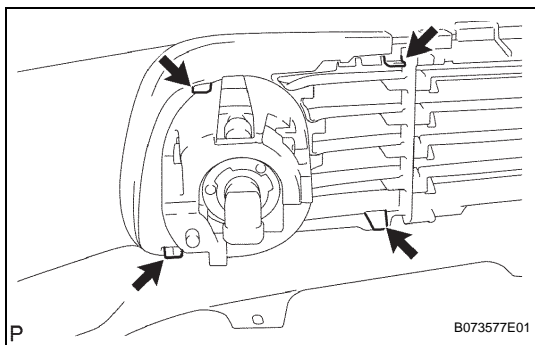
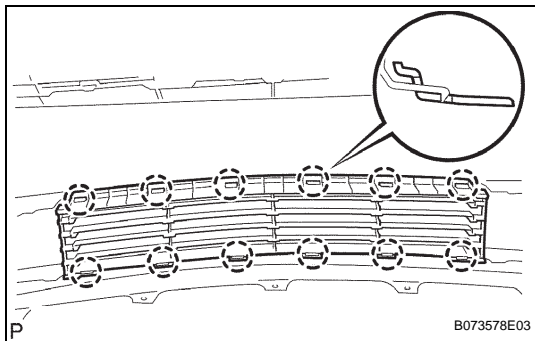
(a) Attach the 12 claws to install the grille.

4. INSTALL FOG LIGHT UNIT LH (w/ Fog Light) (See page LI-88)

5. INSTALL FOG LIGHT UNIT RH (w/ Fog Light)

HINT:

Use the same procedure described for the LH side.



6. INSTALL LOWER RADIATOR GRILLE LH

(a) Attach the 4 claws to install the grille.

7. INSTALL LOWER RADIATOR GRILLE RH

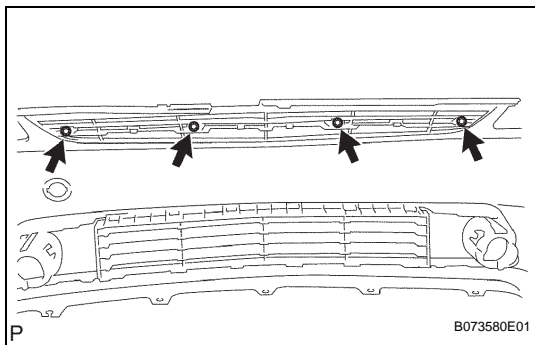
HINT:

Use the same procedure described for the LH side.

8. INSTALL FRONT BUMPER MOULDING

(a) Attach the 4 claws to install the moulding.

(b) Install the 4 screws.

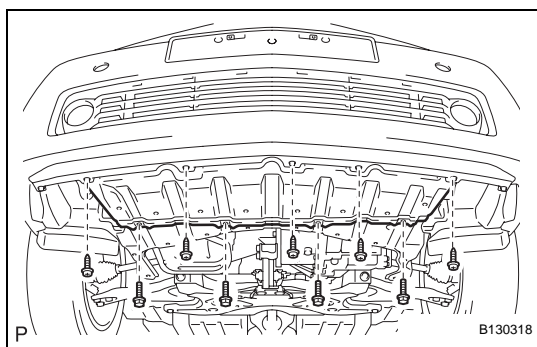
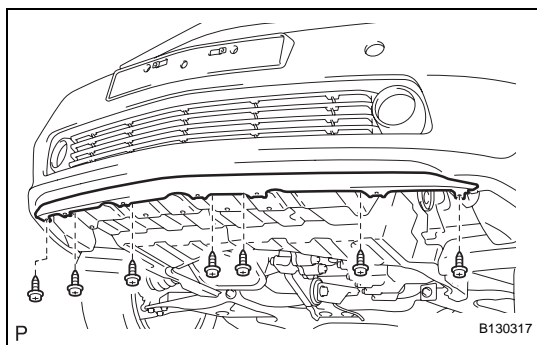
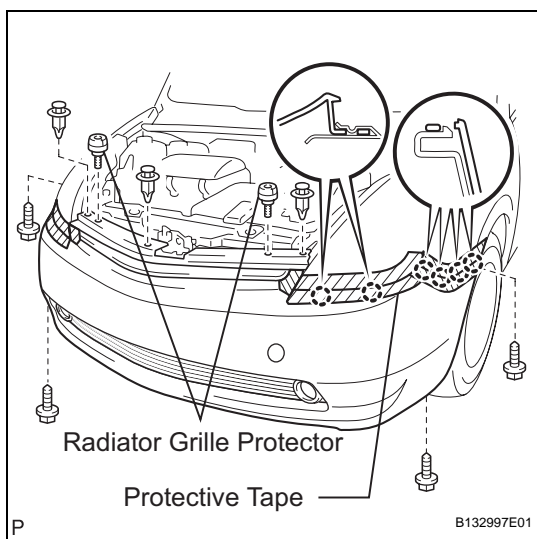


INSTALLATION

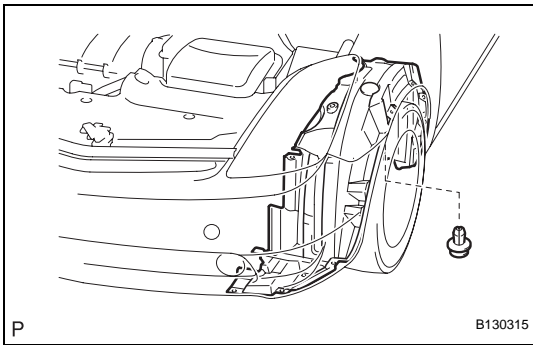
HINT:

A bolt without a torque specification is shown in the standard bolt chart (see page [SS-2](#)).

1. **INSTALL FRONT BUMPER SIDE SUPPORT LH**
 - (a) Install the side support with 2 screws.
2. **INSTALL FRONT BUMPER SIDE SUPPORT RH**
 - (a) Install the side support with 2 screws.
3. **INSTALL FRONT BUMPER REINFORCEMENT**
 - (a) Install the reinforcement with the 4 nuts.
Torque: 67 N*m (683 kgf*cm, 49 ft.*lbf)
 - (b) Install the 4 wire harness clamps.
4. **INSTALL FRONT BUMPER ENERGY ABSORBER**
5. **INSTALL FRONT BUMPER COVER**
 - (a) Put protective tape under the front fender.
 - (b) w/ Fog light:
Connect the 2 fog light connectors.
 - (c) Attach the 12 claws to install the bumper cover.
 - (d) Install the 4 screws and 3 clips.
 - (e) Install the 2 radiator grille protectors.
Torque: 5.0 N*m (51 kgf*cm, 44 in.*lbf)



6. **INSTALL FRONT SPOILER COVER**
 - (a) Install the spoiler cover with the 7 screws.
7. **INSTALL CENTER NO. 4 ENGINE UNDER COVER**
 - (a) Install the under cover with the 5 screws and 4 bolts.

**8. INSTALL FRONT FENDER LINER LH**

(a) Install the fender liner with the clip.

9. INSTALL FRONT FENDER LINER RH

HINT:

Use the same procedure described for the LH side.

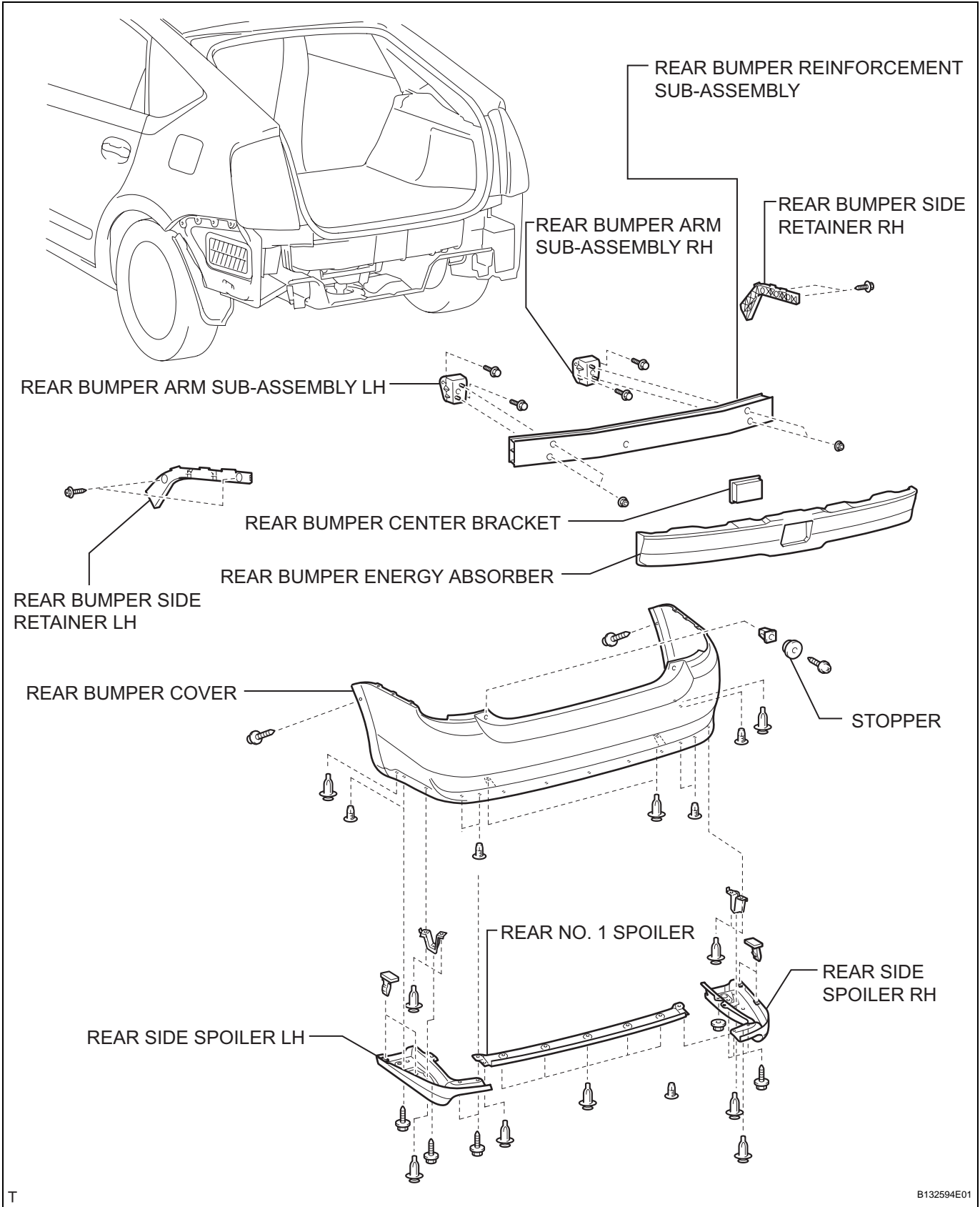
10. CONNECT CABLE TO NEGATIVE BATTERY TERMINAL**11. PERFORM INITIALIZATION**

(a) Perform initialization (see page [IN-32](#)).

NOTICE:

Certain systems need to be initialized after disconnecting and reconnecting the cable from the negative (-) battery terminal.

REAR BUMPER COMPONENTS



ET

T

REMOVAL

HINT:

When replacing the spoiler, heat the bumper cover and spoiler using a heat light.

Standard heating temperature

Item	Specified Condition
Spoiler	40 to 60°C (104 to 140°F)
Bumper cover	20 to 30°C (68 to 86°F)

NOTICE:

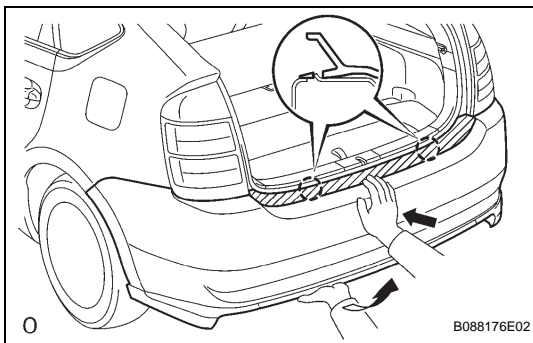
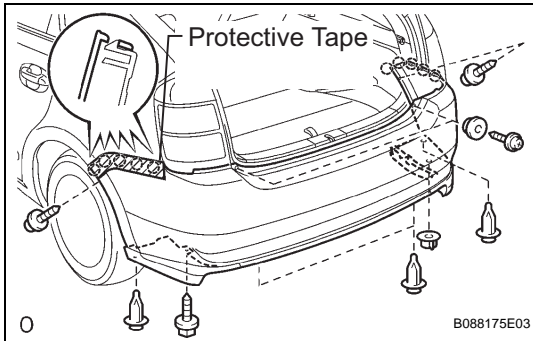
Do not heat the bumper cover and spoiler excessively.

1. REMOVE REAR BUMPER COVER

- (a) Put protective tape under the quarter panel.
- (b) Remove the 5 screws, nut and 2 stoppers.
- (c) Using a clip remover, remove the 4 clips.
- (d) Using a screwdriver, detach the 10 claws.

HINT:

Tape the screwdriver tip before use.



- (e) Detach the 2 claws and remove the bumper cover.
 - (1) Hold the rear bumper cover on its upper and lower parts with your hands as shown in the illustration.
 - (2) Pull up the rear bumper cover's lower part while holding its upper part securely.

NOTICE:

- The claw will not detach unless the rear bumper cover's upper part is securely held.
- Do not forcibly pull up the rear bumper. This will deform the claw.

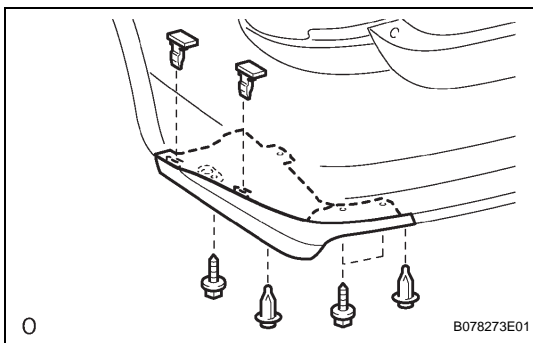
2. REMOVE REAR SIDE SPOILER LH

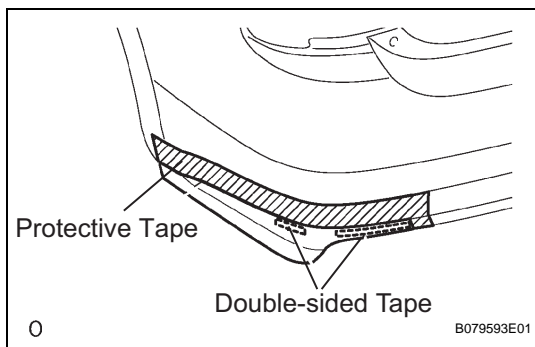
- (a) Using a screwdriver, remove the 2 retainers.

HINT:

Tape the screwdriver tip before use.

- (b) Remove the 2 clips and 3 screws.





- (c) Put protective tape under the rear bumper cover.
- (d) Using a heat light, heat the spoiler.

NOTICE:

Do not heat the spoiler excessively.

- (e) Cut the double-sided tape that holds the spoiler to the bumper cover with a knife.

NOTICE:

- If reusing the spoiler, take care not to damage the spoiler.
- Be careful not to damage the bumper cover.

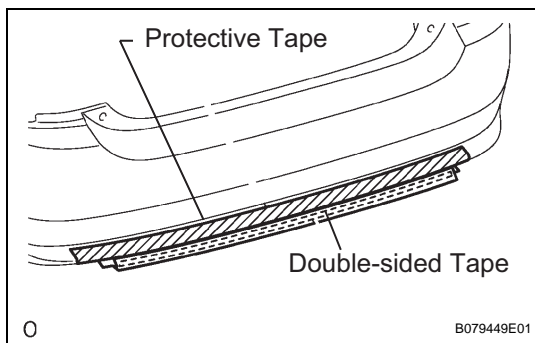
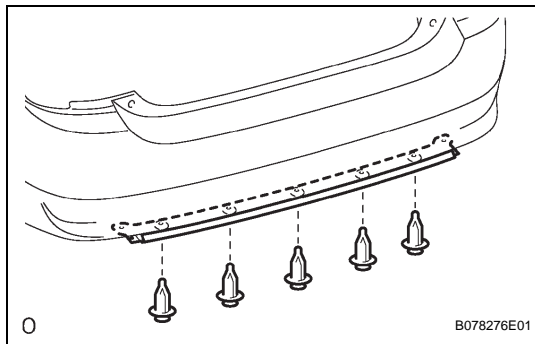
- (f) Remove the spoiler.

3. REMOVE REAR SIDE SPOILER RH**HINT:**

Use the same procedures described for the LH side.

4. REMOVE REAR NO. 1 SPOILER

- (a) Using a clip remover, remove the 5 clips.



- (b) Put protective tape under the rear bumper cover.
- (c) Using a heat light, heat the spoiler.

NOTICE:

Do not heat the spoiler excessively.

- (d) Cut the double-sided tape that holds the spoiler to the bumper cover with a knife.

NOTICE:

- If reusing the spoiler, take care not to damage the spoiler.
- Be careful not to damage the bumper cover.

- (e) Remove the spoiler.

5. REMOVE REAR BUMPER ENERGY ABSORBER**6. REMOVE REAR BUMPER CENTER BRACKET****7. REMOVE REAR BUMPER REINFORCEMENT SUB-ASSEMBLY**

- (a) Remove the 4 nuts and reinforcement.

8. REMOVE REAR BUMPER ARM SUB-ASSEMBLY LH

- (a) Remove the 2 bolts and bumper arm.

9. REMOVE REAR BUMPER ARM SUB-ASSEMBLY RH

- (a) Remove the 2 bolts and bumper arm.

10. REMOVE REAR BUMPER SIDE RETAINER LH

- (a) Remove the 2 screws and side retainer.

11. REMOVE REAR BUMPER SIDE RETAINER RH

- (a) Remove the 2 screws and side retainer.

INSTALLATION

HINT:

- A bolt without a torque specification is shown in the standard bolt chart (see page [SS-2](#)).
- When installing the spoiler, heat the bumper cover and spoiler using a heat light.

Standard heating temperature

Item	Specified Condition
Spoiler	40 to 60°C (104 to 140°F)
Bumper cover	20 to 30°C (68 to 86°F)

NOTICE:

Do not heat the bumper cover and spoiler excessively.

- 1. INSTALL REAR BUMPER SIDE RETAINER LH**
 - (a) Install the side retainer with the 2 screws.
- 2. INSTALL REAR BUMPER SIDE RETAINER RH**
 - (a) Install the side retainer with the 2 screws.
- 3. INSTALL REAR BUMPER ARM SUB-ASSEMBLY LH**
 - (a) Install the bumper arm with the 2 bolts.
- 4. INSTALL REAR BUMPER ARM SUB-ASSEMBLY RH**
 - (a) Install the bumper arm with the 2 bolts.
- 5. INSTALL REAR BUMPER REINFORCEMENT SUB-ASSEMBLY**
 - (a) Install the reinforcement with the 4 nuts.
- 6. INSTALL REAR BUMPER CENTER BRACKET**
- 7. INSTALL REAR BUMPER ENERGY ABSORBER**
- 8. INSTALL REAR NO. 1 SPOILER**
 - (a) Clean the bumper cover surface.
 - (1) Using a heat light, heat the bumper cover.

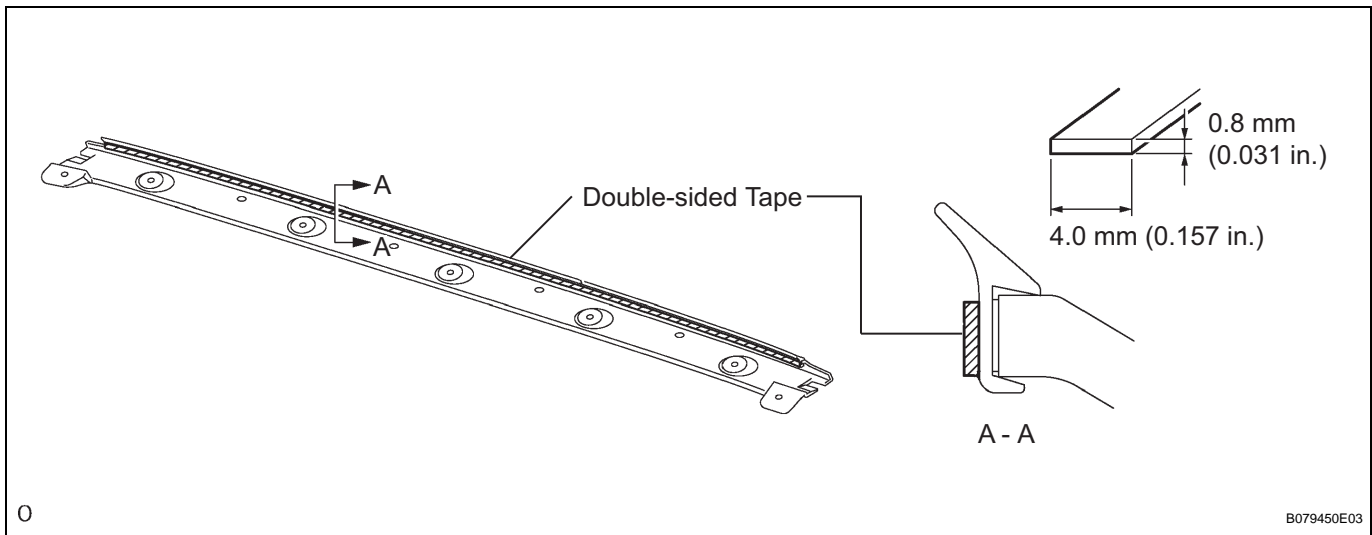
NOTICE:
Do not heat the bumper cover excessively.
 - (2) Remove the double-sided tape from the bumper cover.
 - (3) Wipe off any tape adhesive residue with white gasoline.
 - (b) If reusing the spoiler:

Clean the spoiler and install new double-sided tape.

 - (1) Using a heat light, heat the spoiler.

NOTICE:
Do not heat the spoiler excessively.
 - (2) Remove the double-sided tape from the spoiler.
 - (3) Wipe off any tape adhesive residue with white gasoline.
 - (4) Install new double-sided tape to the spoiler.

NOTICE:
Install the double-sided tape exactly according to the specifications below.



(c) Install the spoiler.

- (1) Using a heat light, heat the bumper cover and spoiler.

NOTICE:

Do not heat the bumper cover and spoiler excessively.

- (2) Remove the peeling paper from the face of the spoiler.

NOTICE:

After removing the peeling paper, keep the exposed adhesive free from foreign matter.

- (3) Install the spoiler with the 5 clips.

NOTICE:

Do not apply excessive force to the spoiler. Apply steady pressure with your thumbs.

9. INSTALL REAR SIDE SPOILER LH

(a) Clean the bumper cover surface.

- (1) Using a heat light, heat the bumper cover.

NOTICE:

Do not heat the bumper cover excessively.

- (2) Remove the double-sided tape from the bumper cover.

- (3) Wipe off any tape adhesive residue with white gasoline.

(b) If reusing the spoiler:

Clean the spoiler and install new double-sided tape.

- (1) Using a heat light, heat the spoiler.

NOTICE:

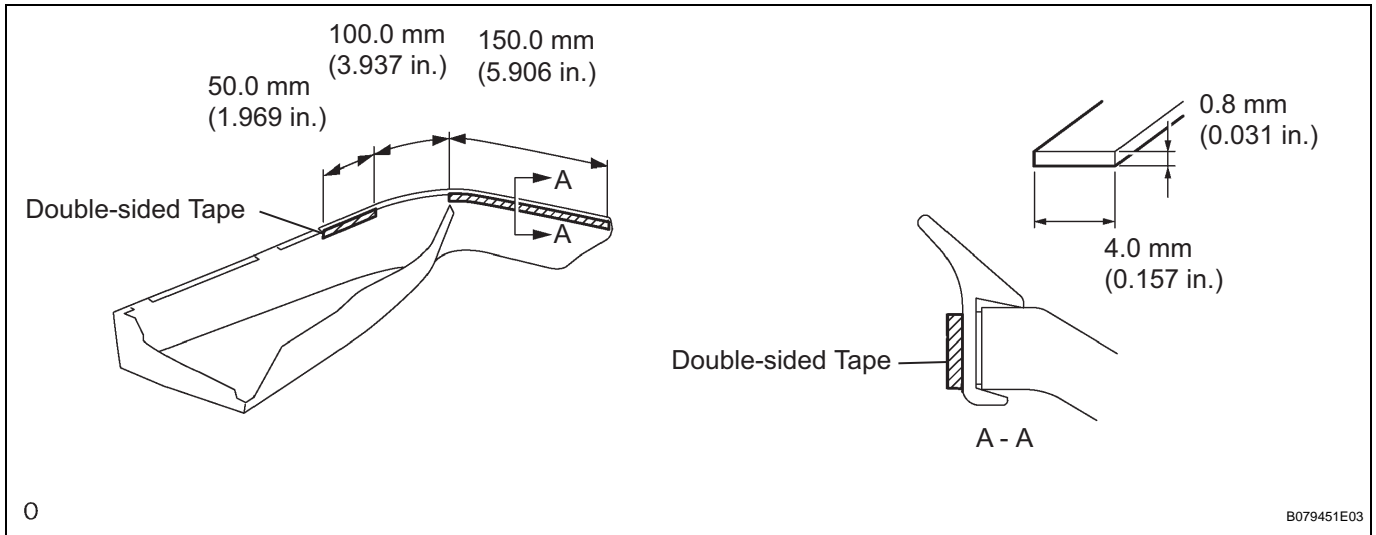
Do not heat the spoiler excessively.

- (2) Remove the double-sided tape from the spoiler.
- (3) Wipe off any tape adhesive residue with white gasoline.

- (4) Install new double-sided tape to the spoiler.

NOTICE:

Install the double-sided tape exactly according to the specifications below.



(c) Install the spoiler.

- (1) Using a heat light, heat the bumper cover and spoiler.

NOTICE:

Do not heat the bumper cover and spoiler excessively.

- (2) Remove the peeling paper from the face of the spoiler.

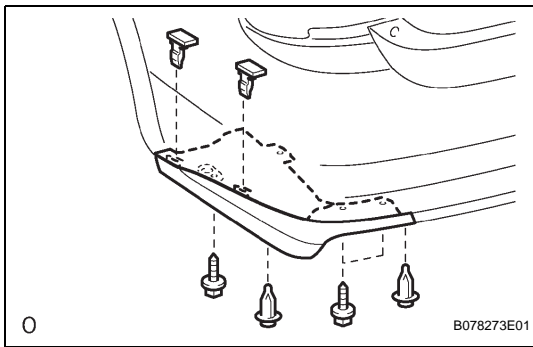
NOTICE:

After removing the peeling paper, keep the exposed adhesive free from foreign matter.

- (3) Install the spoiler with the 2 retainers, 2 clips and 3 screws.

NOTICE:

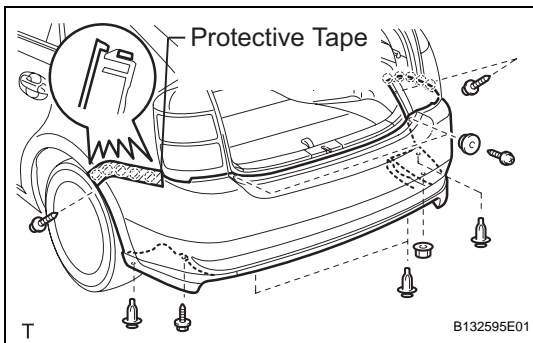
Do not apply excessive force to the spoiler. Apply steady pressure with your thumbs.



10. INSTALL REAR SIDE SPOILER RH

HINT:

Use the same procedures for the LH side.



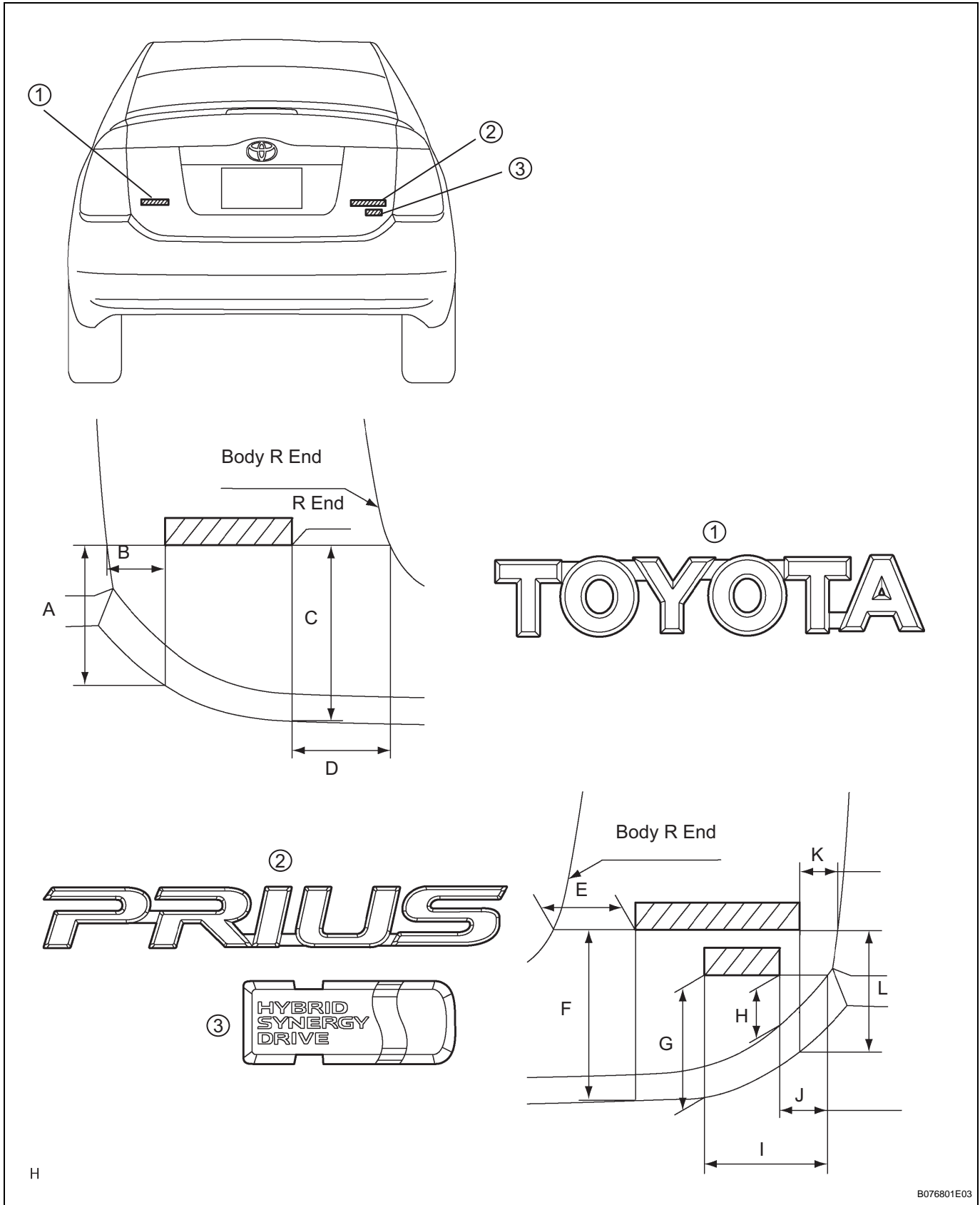
11. REMOVE REAR BUMPER COVER

- (a) Put protective tape under the quarter panel.
- (b) Attach the 12 claws to install the bumper cover.
- (c) Install the 4 clips, 5 screws, nut and 2 stoppers.

NAME PLATE

REPLACEMENT

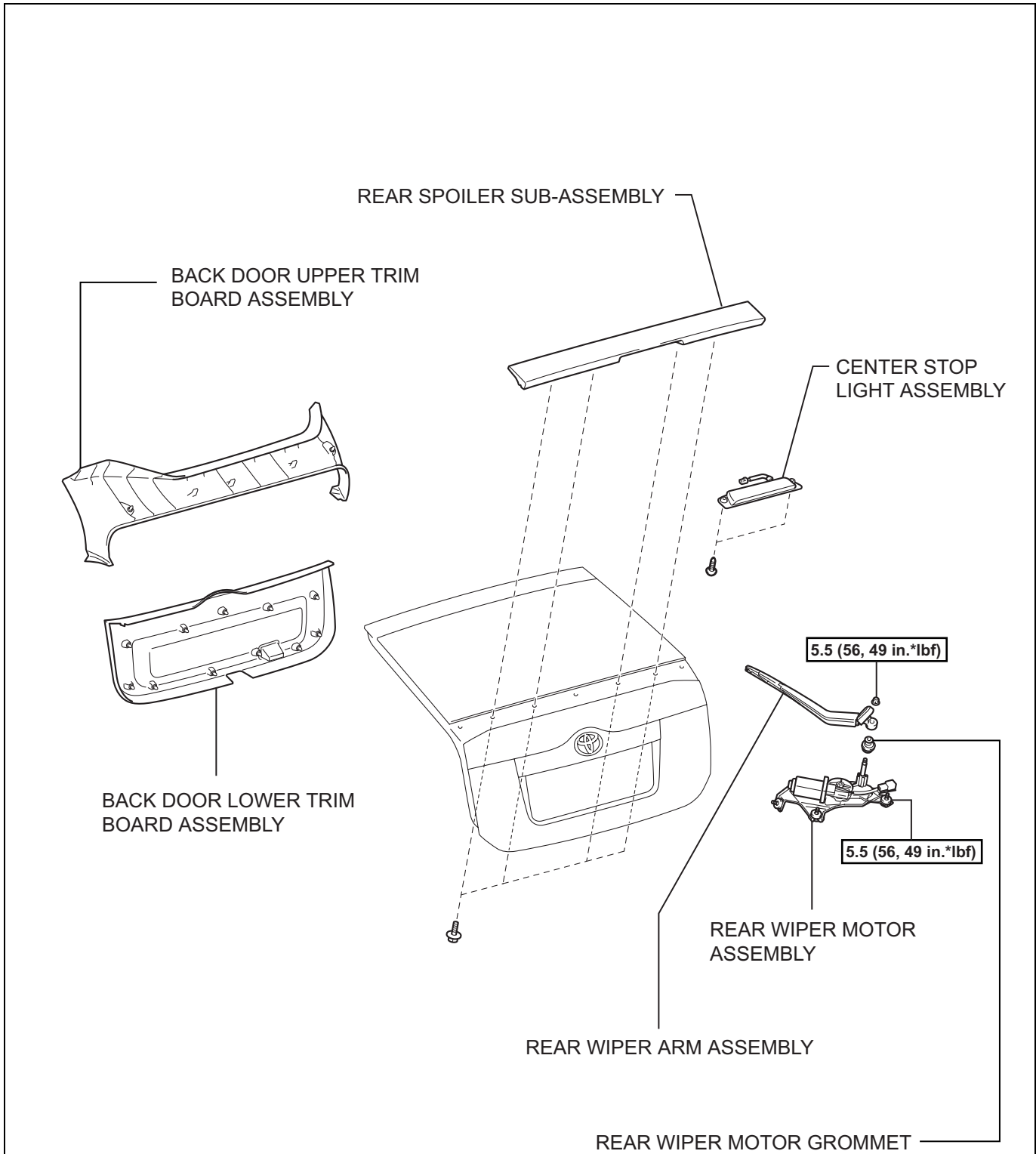
1. INSTALL NAME PLATE



Standard measurement

Area	Specified Condition	Area	Specified Condition
A	74.1 mm (2.917 in.)	G	66.2 mm (2.606 in.)
B	48.6 mm (1.913 in.)	H	32.0 mm (1.620 in.)
C	114.0 mm (4.488 in.)	I	99.6 mm (3.921 in.)
D	89.1 mm (3.508 in.)	J	36.2 mm (1.425 in.)
E	61.0 mm (2.402 in.)	K	36.9 mm (1.453 in.)
F	115.1 mm (4.531 in.)	L	64.5 mm (2.540 in.)

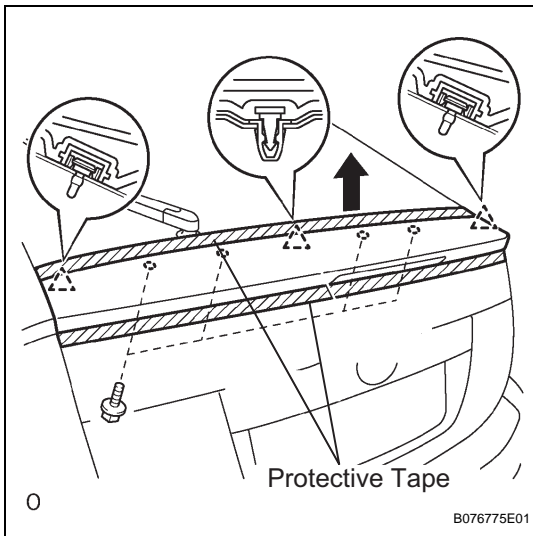
REAR SPOILER COMPONENTS



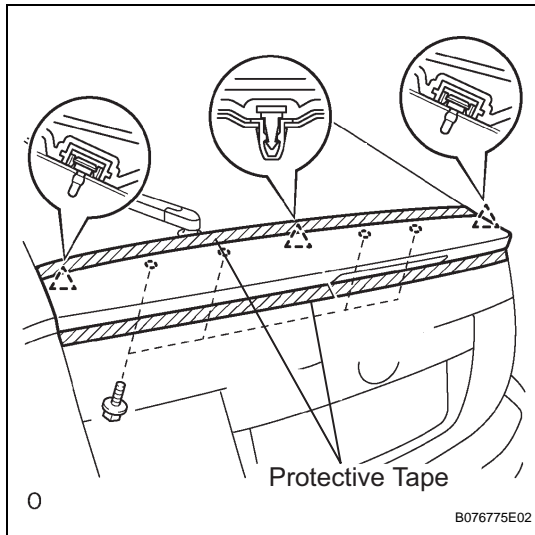
N*m (kgf*cm, ft.*lbf) : Specified torque

REMOVAL

1. **DISCONNECT CABLE FROM NEGATIVE BATTERY TERMINAL**
CAUTION:
 Wait at least 90 seconds after disconnecting the cable from the negative (-) battery terminal to prevent airbag and seat belt pretensioner activation.
2. **REMOVE REAR WIPER ARM ASSEMBLY** (See page [WW-22](#))
3. **REMOVE BACK DOOR LOWER TRIM BOARD ASSEMBLY** (See page [ED-43](#))
4. **REMOVE BACK DOOR UPPER TRIM BOARD ASSEMBLY** (See page [ED-44](#))
5. **REMOVE REAR WIPER MOTOR ASSEMBLY** (See page [WW-22](#))
6. **REMOVE REAR SPOILER SUB-ASSEMBLY**
 - (a) Put protective tape under the rear spoiler.
 - (b) Remove the 4 bolts.
 - (c) Using a screwdriver, detach the 3 clips and remove the rear spoiler.
HINT:
 Tape the screwdriver tip before use.
 - (d) Disconnect the center stop light connector.
7. **REMOVE CENTER STOP LIGHT ASSEMBLY** (See page [LI-94](#))



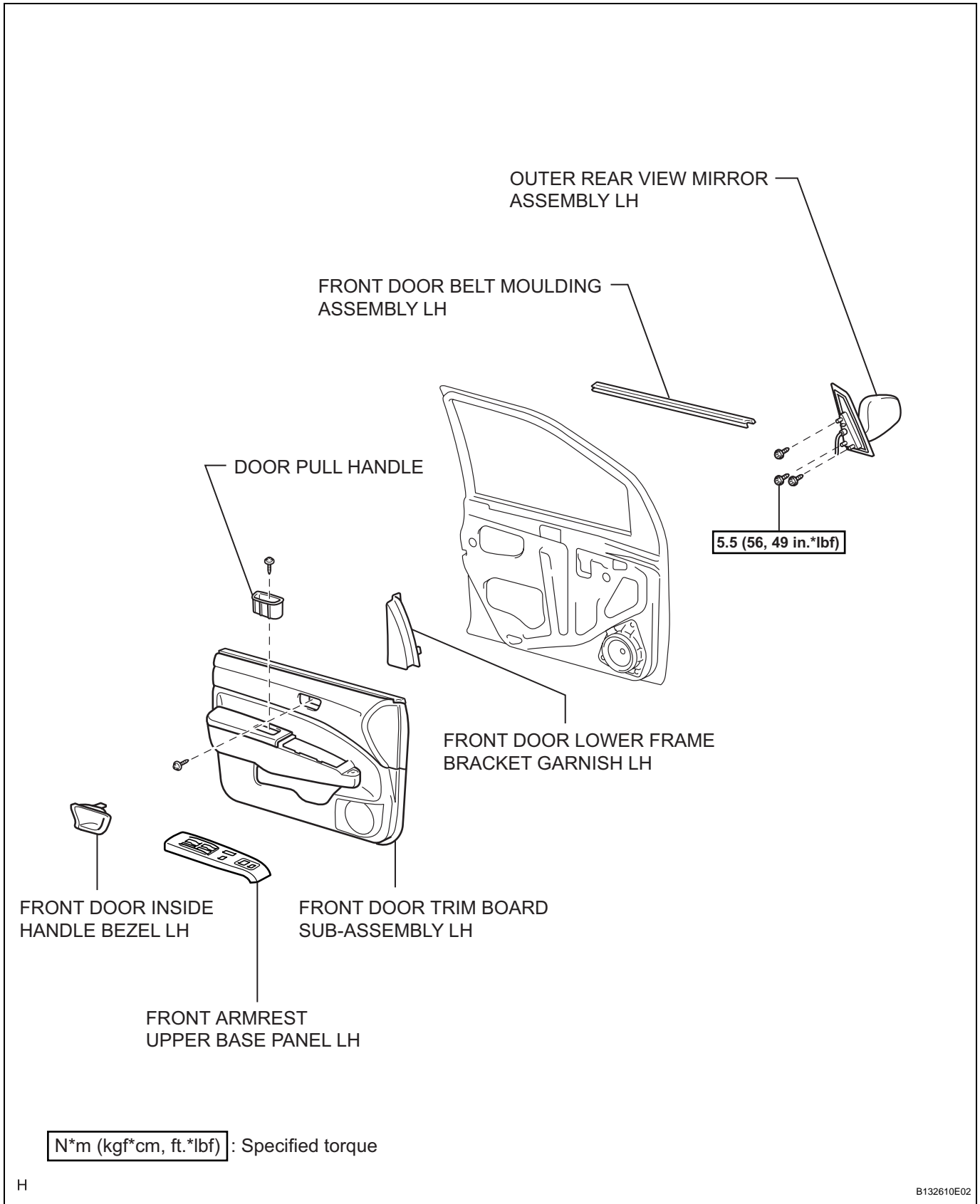
INSTALLATION



1. **INSTALL CENTER STOP LIGHT ASSEMBLY** (See page [LI-94](#))
2. **INSTALL REAR SPOILER SUB-ASSEMBLY**
 - (a) Put protective tape under the rear spoiler.
 - (b) Connect the center stop light connector.
 - (c) Attach the 3 clips to install the rear spoiler.
 - (d) Install the 4 bolts.
3. **INSTALL REAR WIPER MOTOR ASSEMBLY** (See page [WW-22](#))
4. **INSTALL BACK DOOR UPPER TRIM BOARD ASSEMBLY** (See page [ED-48](#))
5. **INSTALL BACK DOOR LOWER TRIM BOARD ASSEMBLY** (See page [ED-48](#))
6. **INSTALL REAR WIPER ARM ASSEMBLY** (See page [WW-23](#))
7. **CONNECT CABLE TO NEGATIVE BATTERY TERMINAL**
8. **PERFORM INITIALIZATION**
 - (a) Perform initialization (see page [IN-32](#)).
NOTICE:
 Certain systems need to be initialized after disconnecting and reconnecting the cable from the negative (-) battery terminal.

FRONT DOOR BELT MOULDING

COMPONENTS



N*m (kgf*cm, ft.*lbf) : Specified torque



REMOVAL

HINT:

- Use the same procedures for the RH side and LH side.
- The procedures listed below are for the LH side.

1. DISCONNECT CABLE FROM NEGATIVE BATTERY TERMINAL

CAUTION:

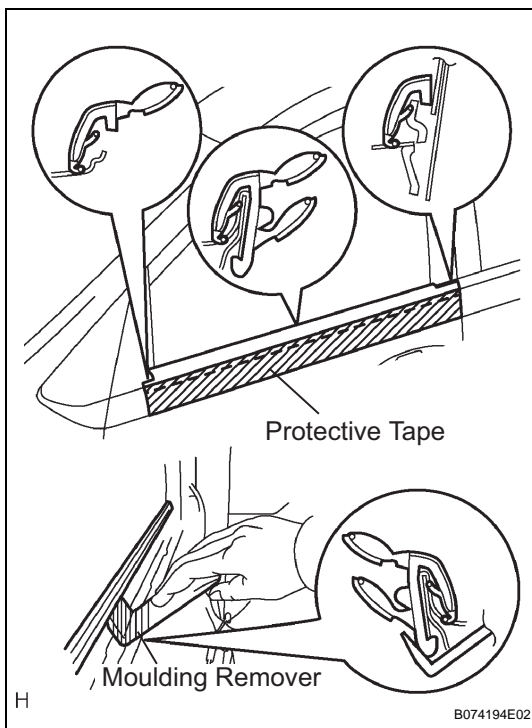
Wait at least 90 seconds after disconnecting the cable from the negative (-) battery terminal to prevent airbag and seat belt pretensioner activation.

2. REMOVE FRONT DOOR LOWER FRAME BRACKET GARNISH LH (See page [ED-11](#))
3. REMOVE FRONT DOOR INSIDE HANDLE BEZEL LH (See page [ED-11](#))
4. REMOVE DOOR PULL HANDLE (See page [ED-11](#))
5. REMOVE FRONT ARMREST UPPER BASE PANEL LH (See page [ED-11](#))
6. REMOVE FRONT DOOR TRIM BOARD SUB-ASSEMBLY LH (See page [ED-12](#))
7. REMOVE OUTER REAR VIEW MIRROR ASSEMBLY LH (See page [MI-9](#))
8. REMOVE FRONT DOOR BELT MOULDING ASSEMBLY LH

- (a) Put protective tape under the moulding.
- (b) Using a moulding remover, detach the claws to remove the moulding as shown in the illustration.

HINT:

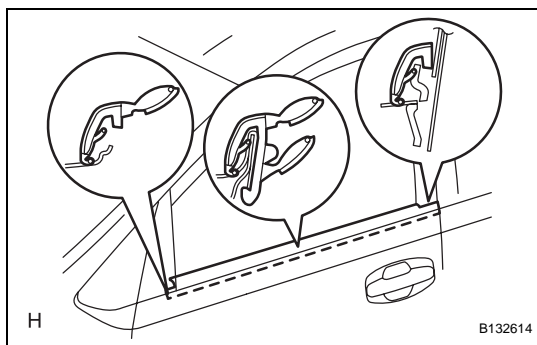
Tape the remover tip before use.



INSTALLATION

HINT:

- Use the same procedures for the RH side and LH side.
- The procedures listed below are for the LH side.



1. INSTALL FRONT DOOR BELT MOULDING ASSEMBLY LH

- (a) Attach the claws to install the moulding.

HINT:

Confirm that the moulding is firmly installed.

2. INSTALL OUTER REAR VIEW MIRROR ASSEMBLY LH (See page [MI-13](#))

3. INSTALL FRONT DOOR TRIM BOARD SUB-ASSEMBLY LH (See page [ED-21](#))

4. INSTALL FRONT ARMREST UPPER BASE PANEL LH (See page [ED-21](#))

5. INSTALL DOOR PULL HANDLE (See page [ED-22](#))

6. INSTALL FRONT DOOR INSIDE HANDLE BEZEL LH (See page [ED-22](#))

7. INSTALL FRONT DOOR LOWER FRAME BRACKET GARNISH LH (See page [ED-22](#))

8. CONNECT CABLE TO NEGATIVE BATTERY TERMINAL

9. PERFORM INITIALIZATION

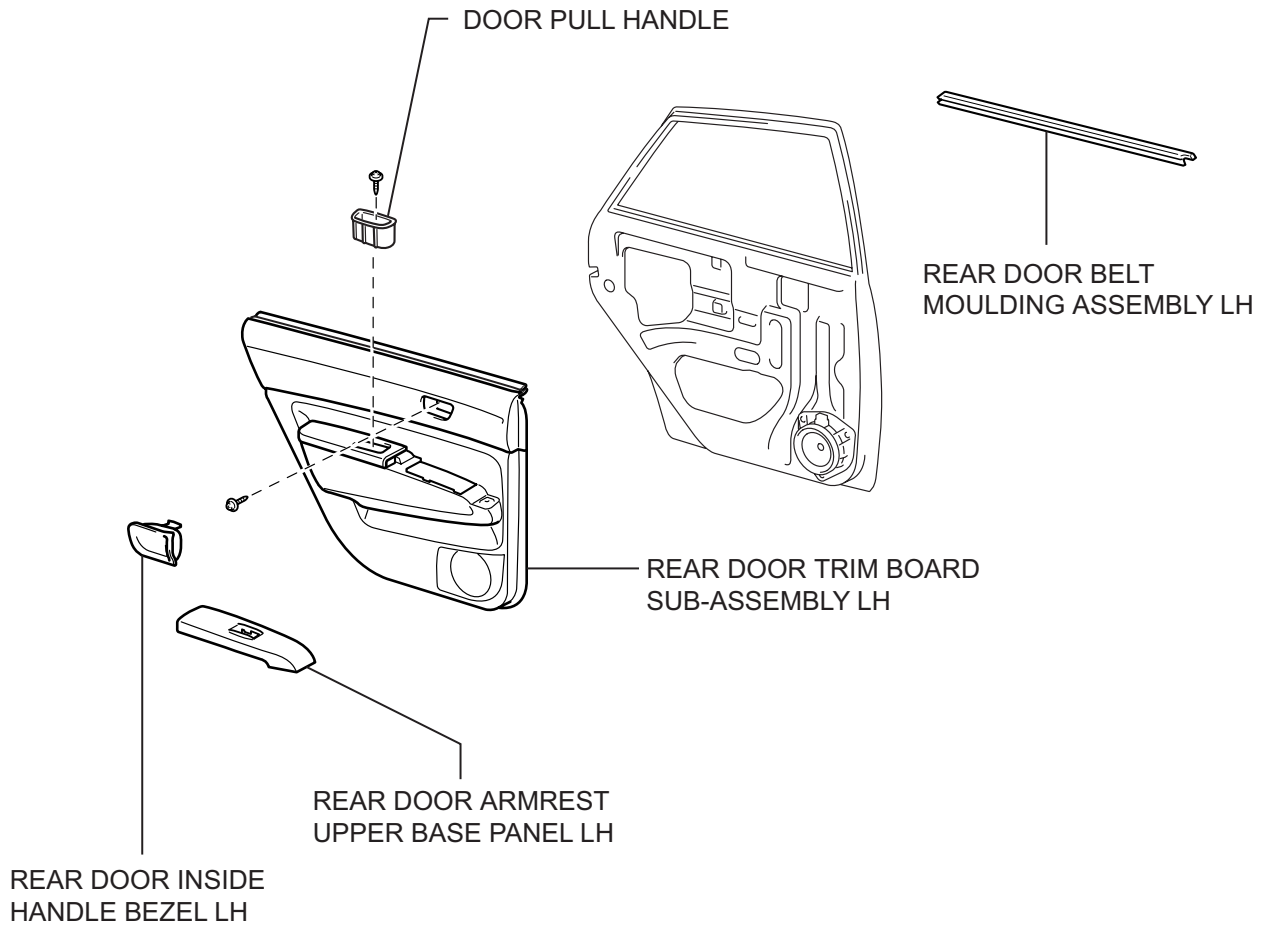
- (a) Perform initialization (see page [IN-32](#)).

NOTICE:

Certain systems need to be initialized after disconnecting and reconnecting the cable from the negative (-) battery terminal.

REAR DOOR BELT MOULDING

COMPONENTS



ET

REMOVAL

HINT:

- Use the same procedures for the RH side and LH side.
- The procedures listed below are for the LH side.

1. DISCONNECT CABLE FROM NEGATIVE BATTERY TERMINAL

CAUTION:

Wait at least 90 seconds after disconnecting the cable from the negative (-) battery terminal to prevent airbag and seat belt pretensioner activation.

2. REMOVE REAR DOOR INSIDE HANDLE BEZEL LH (See page ED-28)

3. REMOVE DOOR PULL HANDLE (See page ED-28)

4. REMOVE REAR DOOR ARMREST UPPER BASE PANEL LH (See page ED-28)

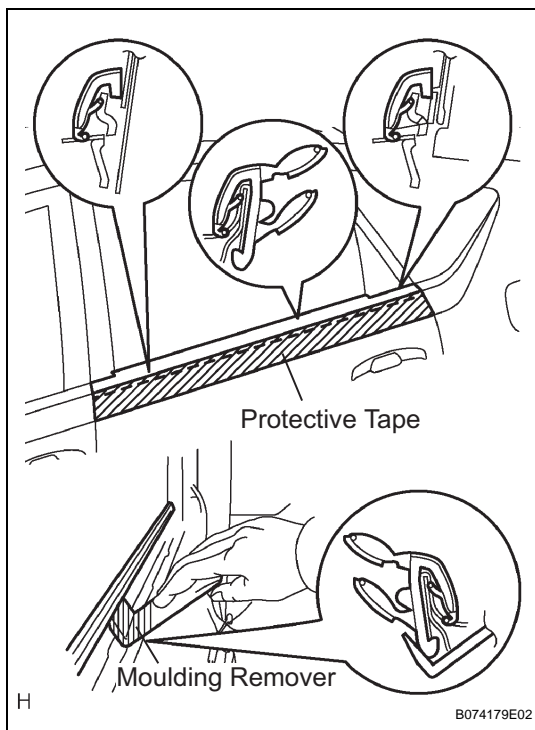
5. REMOVE REAR DOOR TRIM BOARD SUB-ASSEMBLY LH (See page ED-28)

6. REMOVE REAR DOOR BELT MOULDING ASSEMBLY LH

- Put protective tape under the moulding.
- Using a moulding remover, detach the claws to remove the moulding as shown in the illustration.

HINT:

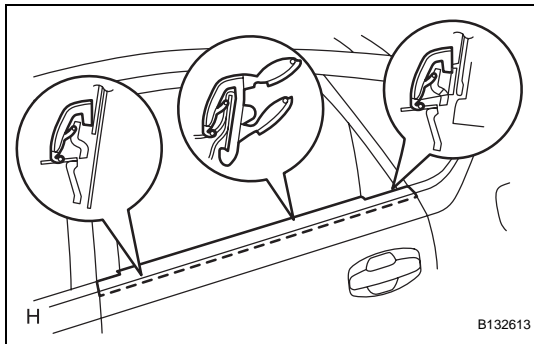
Tap the remover tip before use.



INSTALLATION

HINT:

- Use the same procedures for the RH side and LH side.
- The procedures listed below are for the LH side.



1. INSTALL REAR DOOR BELT MOULDING ASSEMBLY LH

- (a) Attach the claws to install the moulding.

HINT:

Confirm that the moulding is firmly installed.

2. INSTALL REAR DOOR TRIM BOARD SUB-ASSEMBLY LH (See page [ED-37](#))

3. INSTALL REAR DOOR ARMREST UPPER BASE PANEL LH (See page [ED-37](#))

4. INSTALL DOOR PULL HANDLE (See page [ED-37](#))

5. INSTALL REAR DOOR INSIDE HANDLE BEZEL LH (See page [ED-37](#))

6. CONNECT CABLE TO NEGATIVE BATTERY TERMINAL

7. PERFORM INITIALIZATION

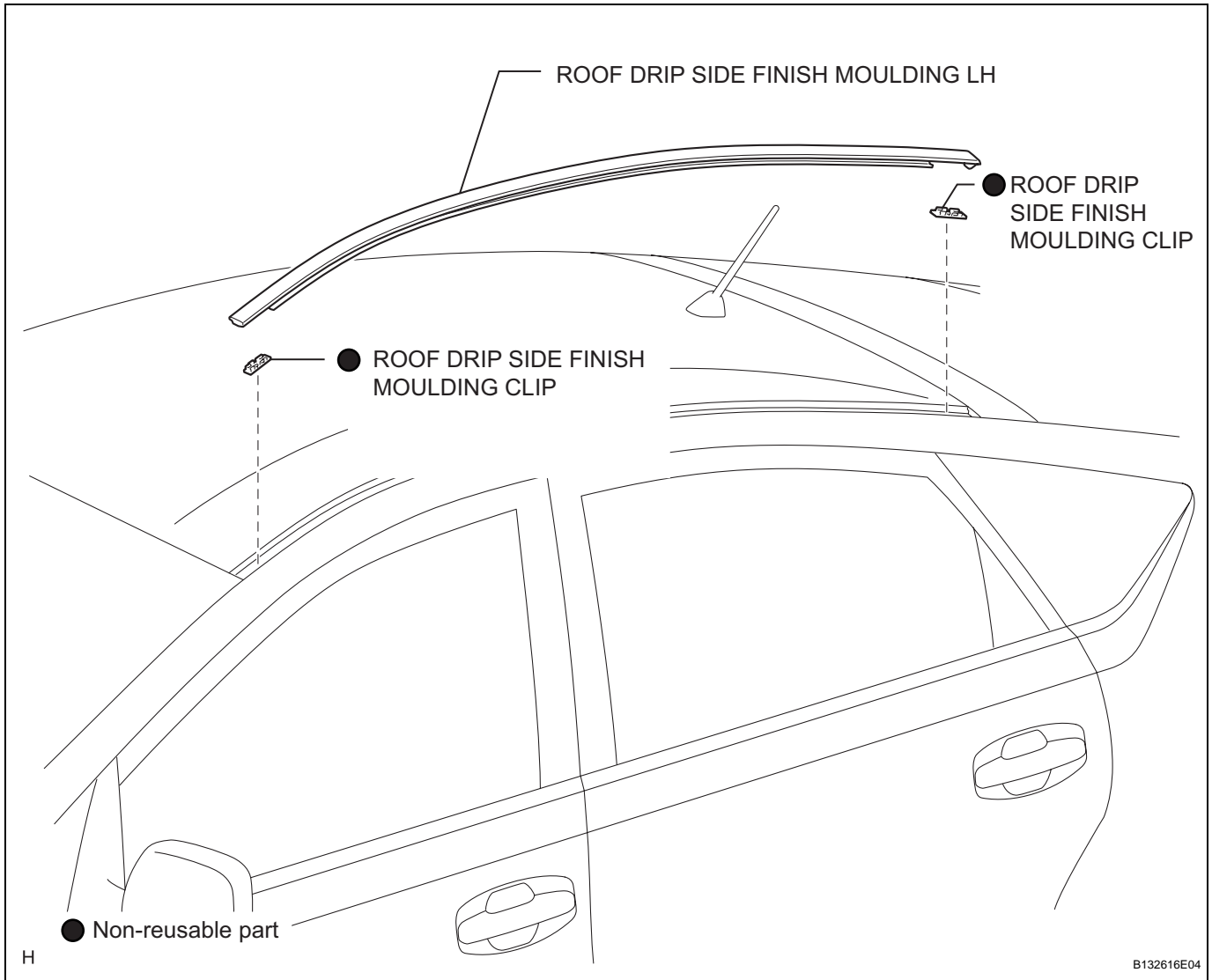
- (a) Perform initialization (see page [IN-32](#)).

NOTICE:

Certain systems need to be initialized after disconnecting and reconnecting the cable from the negative (-) battery terminal.

ROOF DRIP SIDE FINISH MOULDING

COMPONENTS



REMOVAL

HINT:

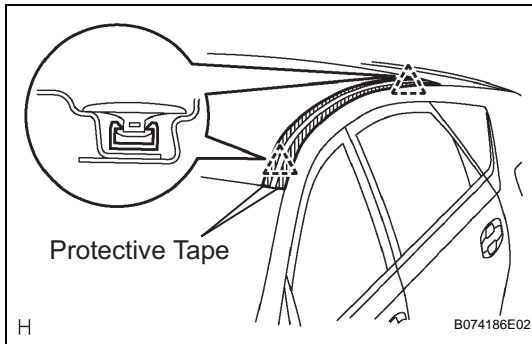
- Use the same procedures for the RH side and LH side.
- The procedures listed below are for the LH side.

1. REMOVE ROOF DRIP SIDE FINISH MOULDING LH

- (a) Put protective tape around the edges of the moulding.
- (b) Using a moulding remover, detach the moulding's front and rear end 2 clips and remove the moulding.

NOTICE:

- **Do not remove the clips from the vehicle body.**
- **If the clips are damaged or removed accidentally, replace them.**



INSTALLATION

HINT:

- Use the same procedures for the RH side and LH side.
- The procedures listed below are for the LH side.
- When replacing the clip, heat the vehicle body and clip using a heat light.

Standard heating temperature

Item	Specified Condition
Vehicle body	40 to 60°C (104 to 140°F)
Clip	20 to 30°C (68 to 86°F)

NOTICE:

Do not heat the clip and vehicle body excessively.

1. REPLACE ROOF DRIP SIDE FINISH MOULDING CLIP

HINT:

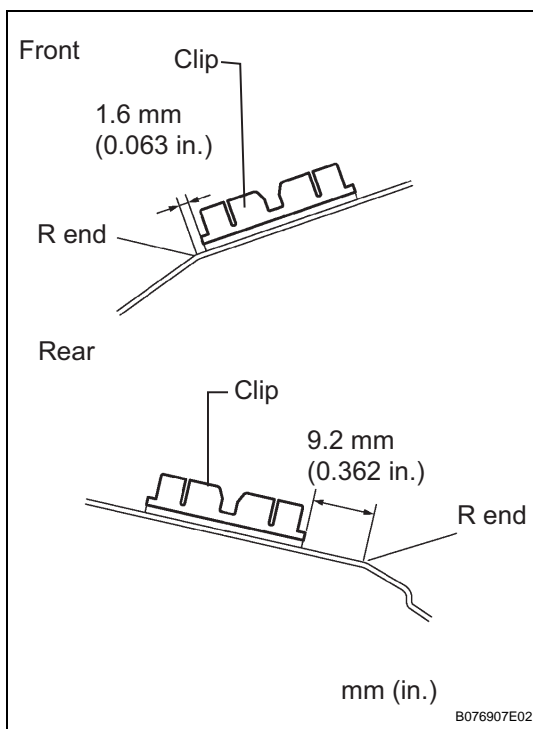
Use the procedures below to replace damaged or accidentally removed clips. If this step is not necessary, go to the next step.

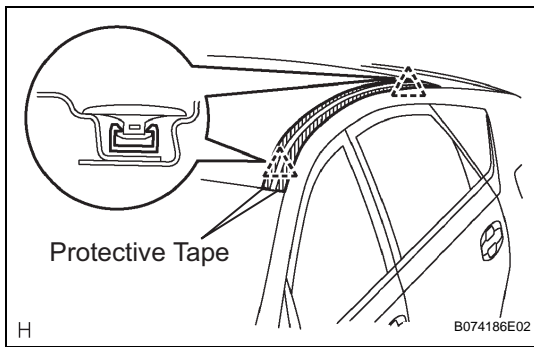
NOTICE:

After press-fitting the clips, wait 30 minutes or more before installing the moulding.

HINT:

- Minimum hardening time: 30 minutes
 - Time needed for complete hardening: 24 hours
- Remove the double-sided tape that remains on the surfaces of the moulding and vehicle body, and then clean the surface with white gasoline.
 - Using a heat light, heat the clip installation surface of the vehicle body and installation part of the clips.
 - Install new clips to the positions shown in the illustration. Press-fit the clips by hand.

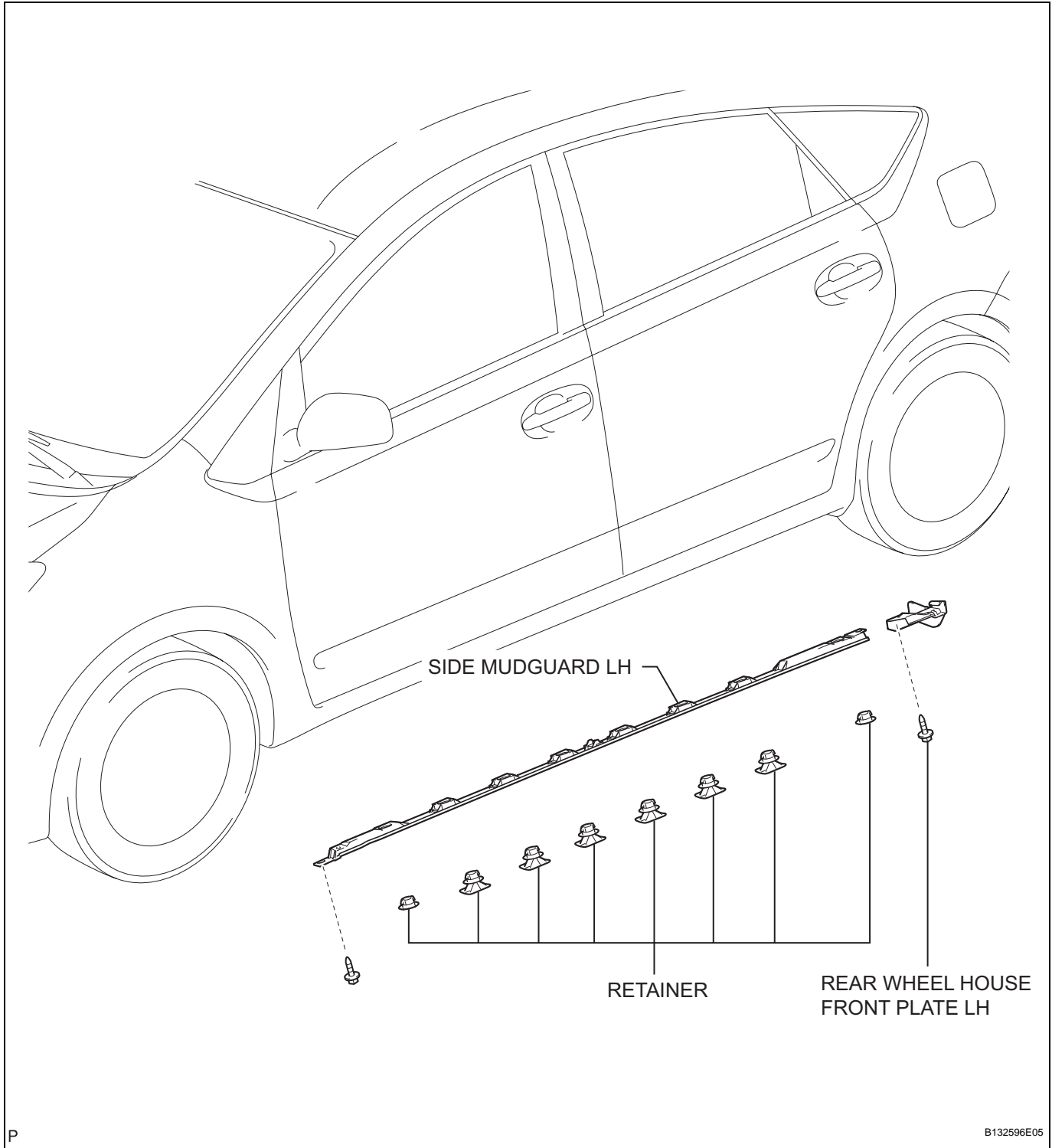


**2. INSTALL ROOF DRIP SIDE FINISH MOULDING LH**

- (a) Put protective tape around the edges of the moulding.
- (b) Adjust the position of the moulding so that the front and rear ends attach to the vehicle's 2 clips, and install the moulding.
- (c) Remove the protective tape.

SIDE MUDGUARD

COMPONENTS



REMOVAL

HINT:

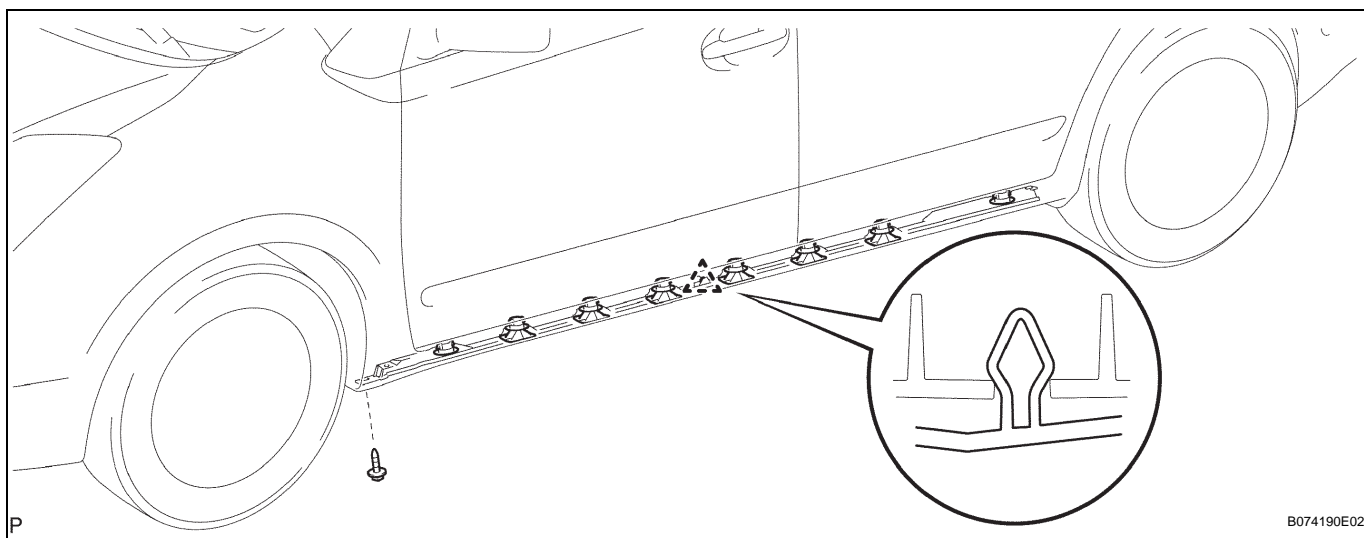
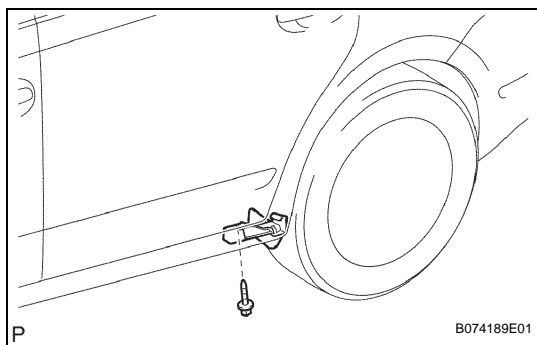
- Use the same procedures for the LH side and RH side.
- The procedures listed below are for the LH side.

1. REMOVE REAR WHEEL HOUSE FRONT PLATE LH

- (a) Remove the screw and front plate.

2. REMOVE SIDE MUDGUARD LH

- (a) Remove the screw and 8 retainers.
- (b) Detach the clip and remove the mudguard.



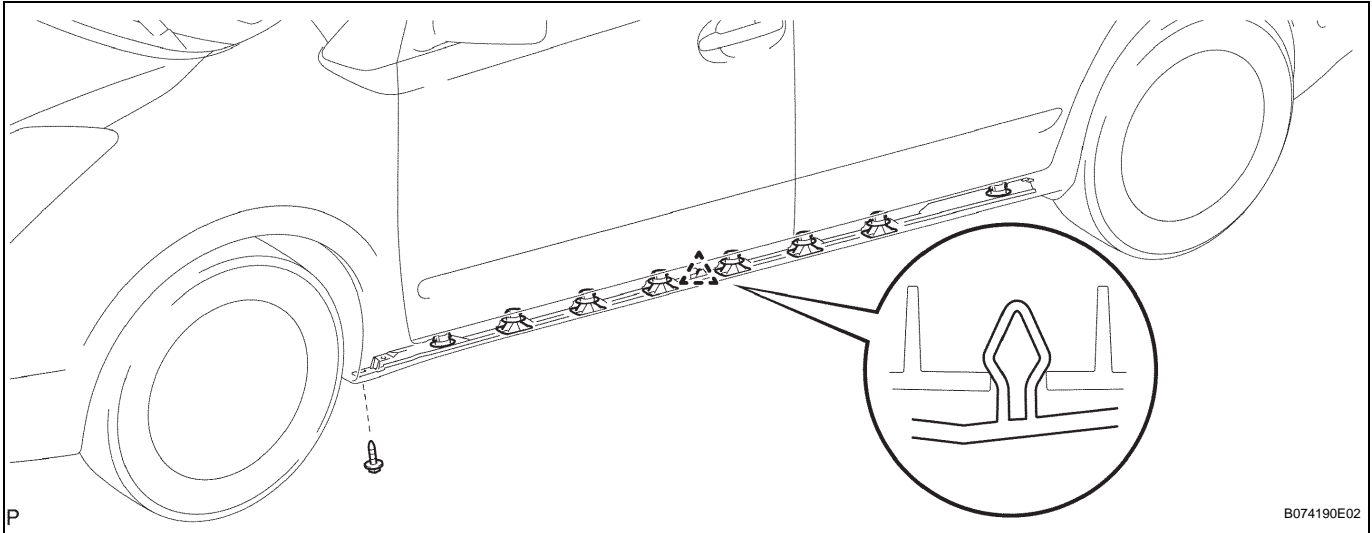
INSTALLATION

HINT:

- Use the same procedures for the LH side and RH side.
- The procedures listed below are for the LH side.

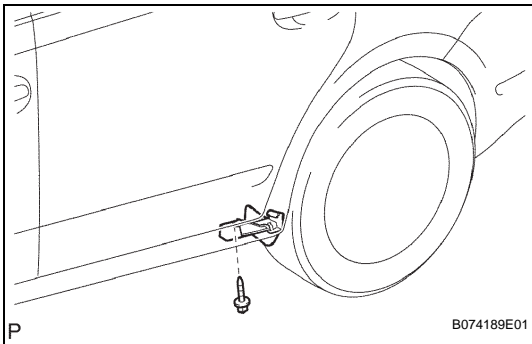
1. INSTALL SIDE MUDGUARD LH

- (a) Attach the clip to install the mudguard.
- (b) Install the screw and 8 retainers.



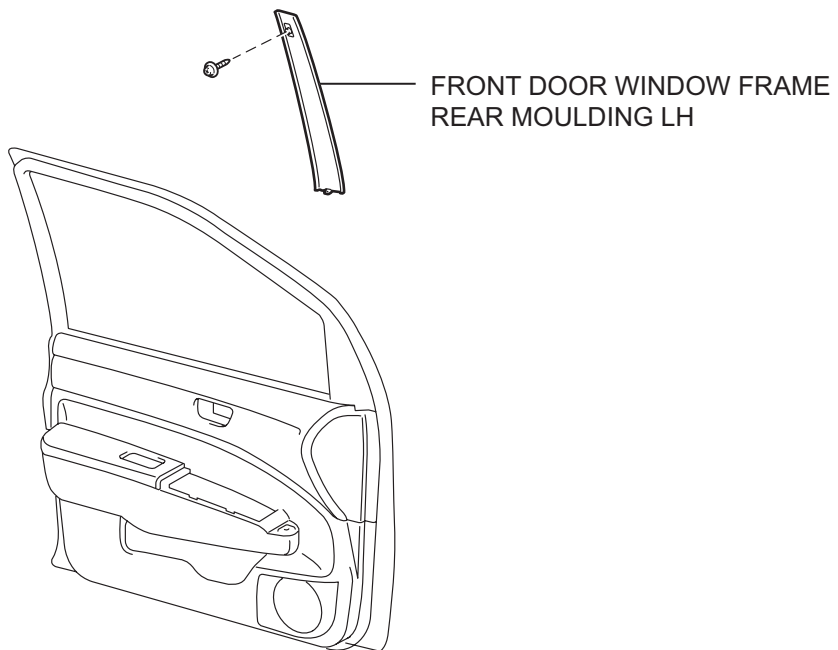
2. INSTALL REAR WHEEL HOUSE FRONT PLATE LH

- (a) Install the front plate with the screw.



FRONT DOOR WINDOW FRAME MOULDING

COMPONENTS



H

B132609E02

REMOVAL

HINT:

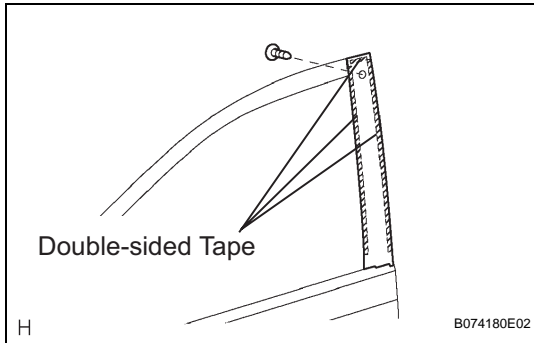
- Use the same procedures for the RH side and LH side.
- The procedures listed below are for the LH side.
- When removing the moulding, heat the vehicle body and moulding using a heat light.

Standard heating temperature

Item	Specified Condition
Vehicle Body	40 to 60°C (104 to 140°F)
Moulding	20 to 30°C (68 to 86°F)

NOTICE:

Do not heat the vehicle body and moulding excessively.



1. REMOVE FRONT DOOR WINDOW FRAME REAR MOULDING LH

- Remove the screw.
- Using a heat light, heat the moulding and vehicle body.
- Cut the double-sided tape that holds the moulding to the vehicle body with a knife.

NOTICE:

- **If reusing the moulding, take care not to damage the moulding.**
 - **Be careful not to damage the vehicle body.**
- Remove the moulding.

INSTALLATION

HINT:

- Use the same procedures for the RH side and LH side.
- The procedures listed below are for the LH side.
- When installing the moulding, heat the vehicle body and moulding using a heat light.

Standard heating temperature

Item	Specified Condition
Vehicle Body	40 to 60°C (104 to 140°F)
Moulding	20 to 30°C (68 to 86°F)

NOTICE:

Do not heat the vehicle body and moulding excessively.

1. INSTALL FRONT DOOR WINDOW FRAME REAR MOULDING LH

- (a) Clean the vehicle body surface.
 - (1) Using a heat light, heat the vehicle body.
 - (2) Remove the double-sided tape from the vehicle body.
 - (3) Wipe off any tape adhesive residue with white gasoline.
- (b) If reusing the moulding:

Clean the moulding and install new double-sided tape.

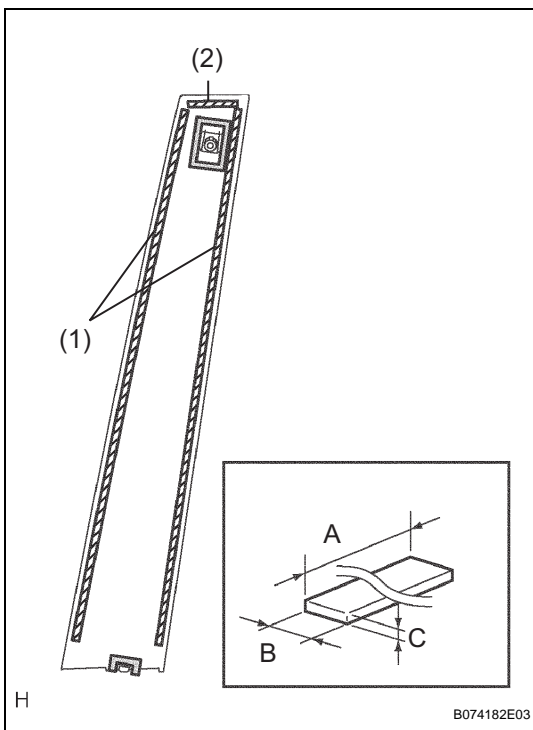
 - (1) Using a heat light, heat the moulding.
 - (2) Remove the double-sided tape from the moulding.
 - (3) Wipe off any tape adhesive residue with white gasoline.
 - (4) Install new double-sided tape to the moulding.

NOTICE:

Install the double-sided tape exactly according to the specifications below.

Standard measurement

Area	Specified Condition
A	(1) 440.0 mm (17.323 in.) (2) 37.0 mm (1.457 in.)
B	5.0 mm (0.197 in.)
C	0.8 mm (0.032 in.)



- (c) Install the moulding.
 - (1) Using a heat light, heat the vehicle body and moulding.
 - (2) Remove the peeling paper from the face of the moulding.

NOTICE:

After removing the peeling paper, keep the exposed adhesive free from foreign matter.

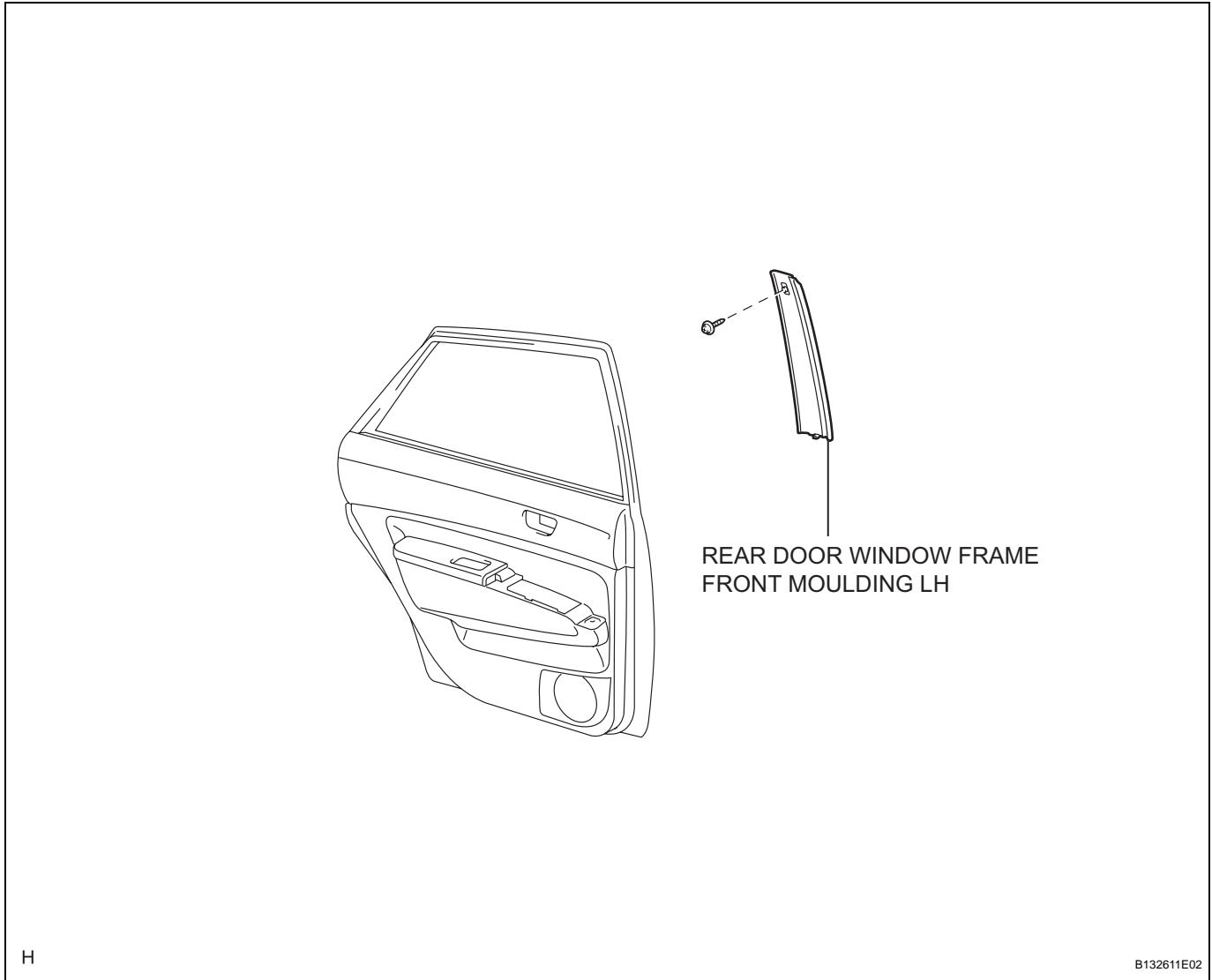
- (3) Install the moulding with the screw.

NOTICE:

Do not apply excessive force to the moulding. Apply steady pressure with your thumbs.

REAR DOOR WINDOW FRAME MOULDING

COMPONENTS



REMOVAL

HINT:

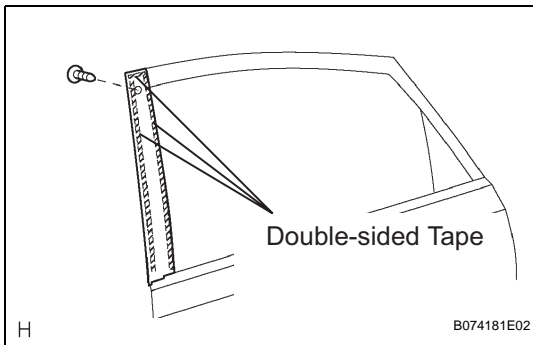
- Use the same procedures for the RH side and LH side.
- The procedures listed below are for the LH side.
- When removing the moulding, heat the vehicle body and moulding using a heat light.

Standard heating temperature

Item	Specified Condition
Vehicle Body	40 to 60°C (104 to 140°F)
Moulding	20 to 30°C (68 to 86°F)

NOTICE:

Do not heat the vehicle body and moulding excessively.



1. REMOVE REAR DOOR WINDOW FRAME FRONT MOULDING LH

- Remove the screw.
- Using a heat light, heat the moulding and vehicle body.
- Cut the double-sided tape that holds the moulding to the vehicle body with a knife.

NOTICE:

- If reusing the moulding, take care not to damage the moulding.
 - Be careful not to damage the vehicle body.
- Remove the moulding.

INSTALLATION

HINT:

- Use the same procedures for the RH side and LH side.
- The procedures listed below are for the LH side.
- When installing the moulding, heat the vehicle body and moulding using a heat light.

Standard heating temperature

Item	Specified Condition
Vehicle Body	40 to 60°C (104 to 140°F)
Moulding	20 to 30°C (68 to 86°F)

NOTICE:

Do not heat the vehicle body and moulding excessively.

1. INSTALL REAR DOOR WINDOW FRAME FRONT MOULDING LH

- (a) Clean the vehicle body surface.
 - (1) Using a heat light, heat the vehicle body.
 - (2) Remove the double-sided tape from the vehicle body.
 - (3) Wipe off any tape adhesive residue with white gasoline.
- (b) If reusing the moulding:

Clean the moulding and install new double-sided tape.

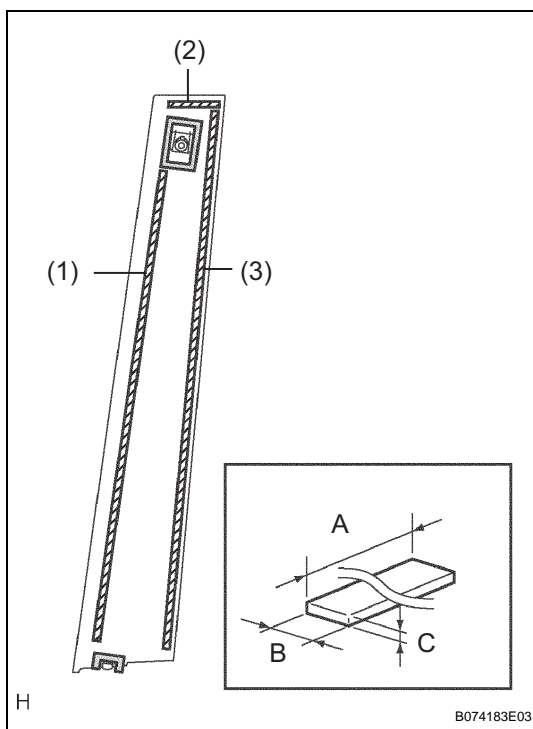
 - (1) Using a heat light, heat the moulding.
 - (2) Remove the double-sided tape from the moulding.
 - (3) Wipe off any tape adhesive residue with white gasoline.
 - (4) Install new double-sided tape to the moulding.

NOTICE:

Install the double-sided tape exactly according to the specifications below.

Standard measurement

Area	Specified Condition
A	(1) 360.0 mm (14.173 in.) (2) 37.0 mm (1.457 in.) (3) 440.0 mm (17.322 in.)
B	5.0 mm (0.197 in.)
C	(1) 1.2 mm (0.047 in.) (2) 0.8 mm (0.032 in.) (3) 0.8 mm (0.032 in.)



H

B074183E03

- (c) Install the moulding.
 - (1) Using a heat light, heat the vehicle body and moulding.
 - (2) Remove the peeling paper from the face of the moulding.

NOTICE:

After removing the peeling paper, keep the exposed adhesive free from foreign matter.

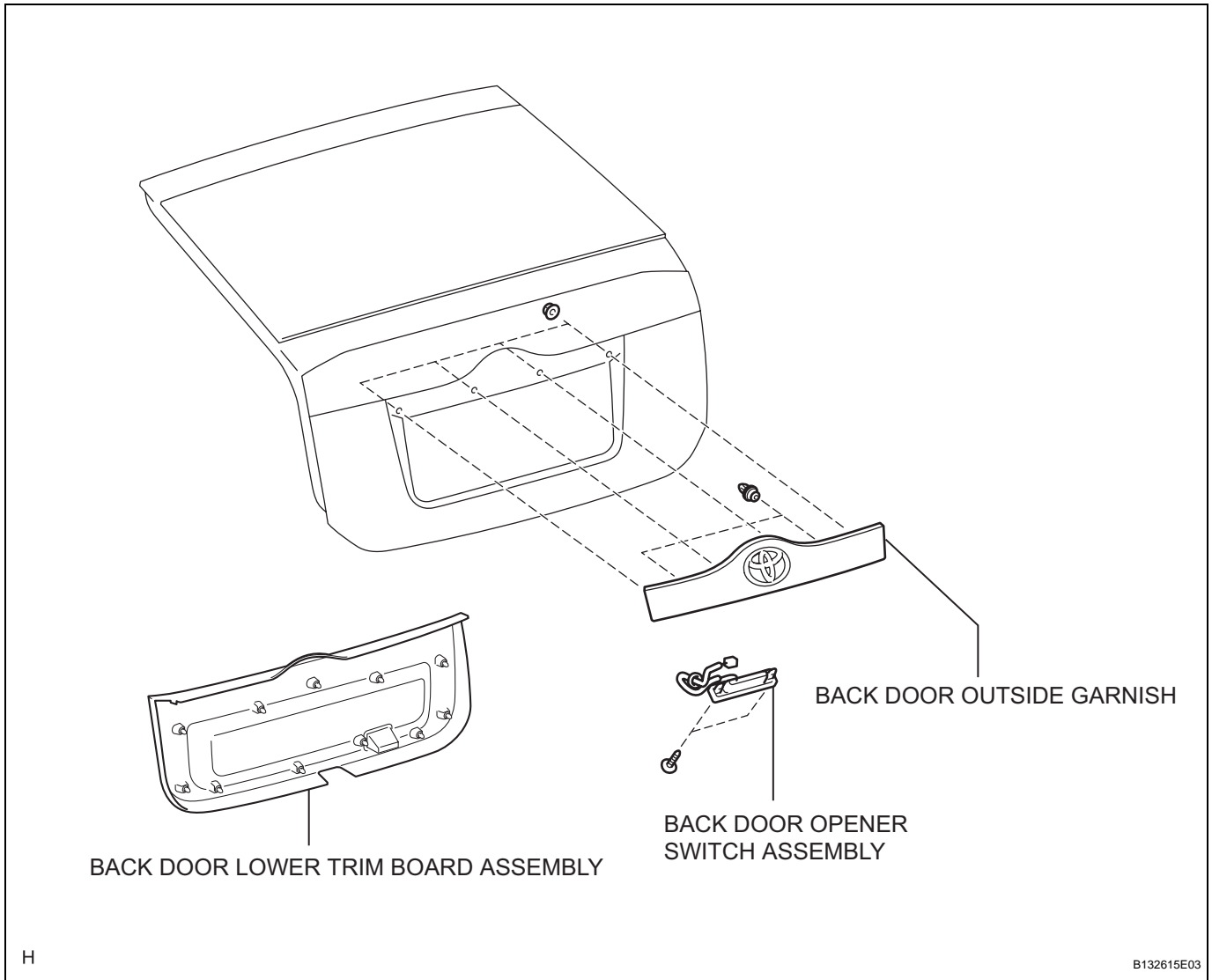
- (3) Install the moulding with the screw.

NOTICE:

Do not apply excessive force to the moulding. Apply steady pressure with your thumbs.

BACK DOOR OUTSIDE GARNISH

COMPONENTS



H

B132615E03

REMOVAL

1. DISCONNECT CABLE FROM NEGATIVE BATTERY TERMINAL

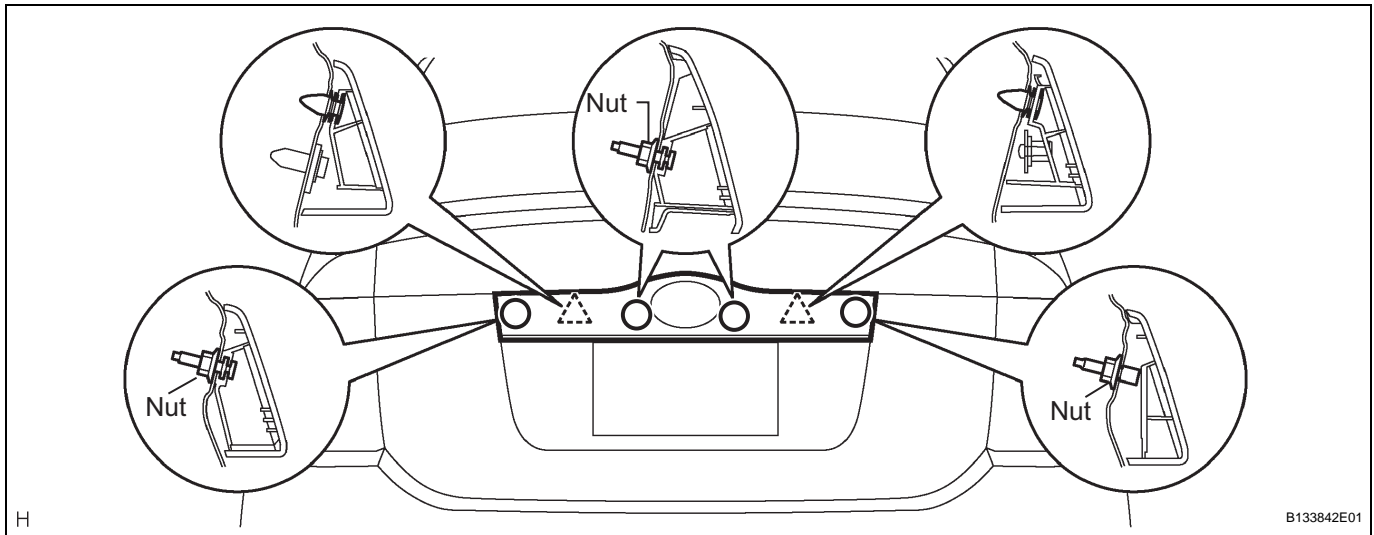
CAUTION:

Wait at least 90 seconds after disconnecting the cable from the negative (-) battery terminal to prevent airbag and seat belt pretensioner activation.

2. REMOVE BACK DOOR LOWER TRIM BOARD ASSEMBLY (See page [ED-48](#))

3. REMOVE BACK DOOR OUTSIDE GARNISH

- (a) Disconnect the back door opener switch connector.
- (b) Remove the 4 nuts.

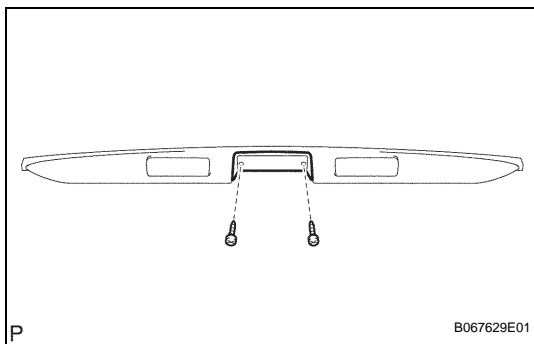


- (c) Using a screwdriver, detach the 2 clips and remove the garnish (with back door opener switch).

HINT:

Tape the screwdriver tip before use.

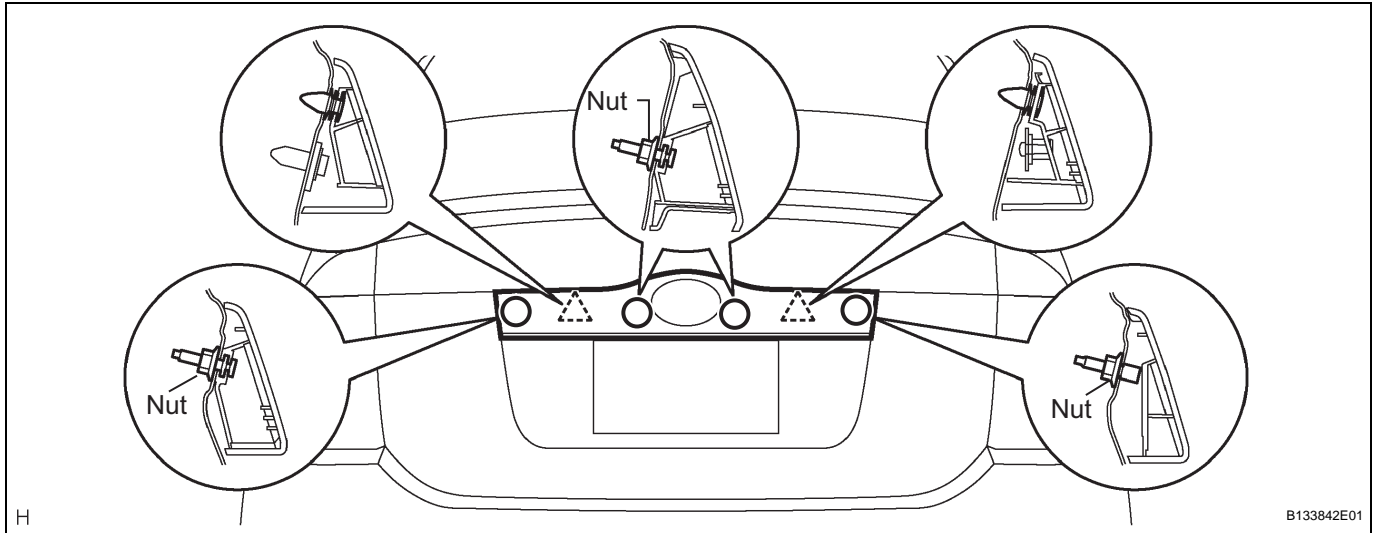
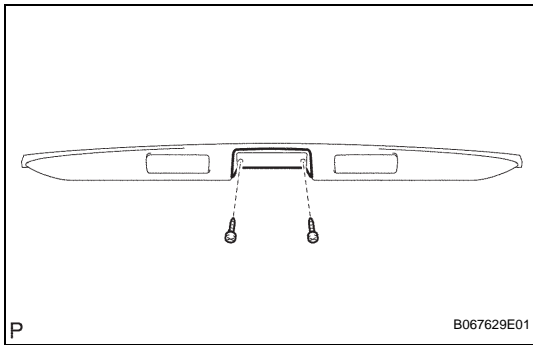
- (d) Remove the 2 screws and back door opener switch from the garnish.



INSTALLATION

1. INSTALL BACK DOOR OUTSIDE GARNISH

- (a) Install the back door opener switch to the garnish with the 2 screws.
- (b) Attach the 2 clips to install the garnish.



- (c) Install the 4 nuts.
- (d) Connect the back door opener switch connector.

2. INSTALL BACK DOOR LOWER TRIM BOARD ASSEMBLY (See page [ED-48](#))

3. CONNECT CABLE TO NEGATIVE BATTERY TERMINAL

4. PERFORM INITIALIZATION

- (a) Perform initialization (see page [IN-32](#)).

NOTICE:

Certain systems need to be initialized after disconnecting and reconnecting the cable from the negative (-) battery terminal.