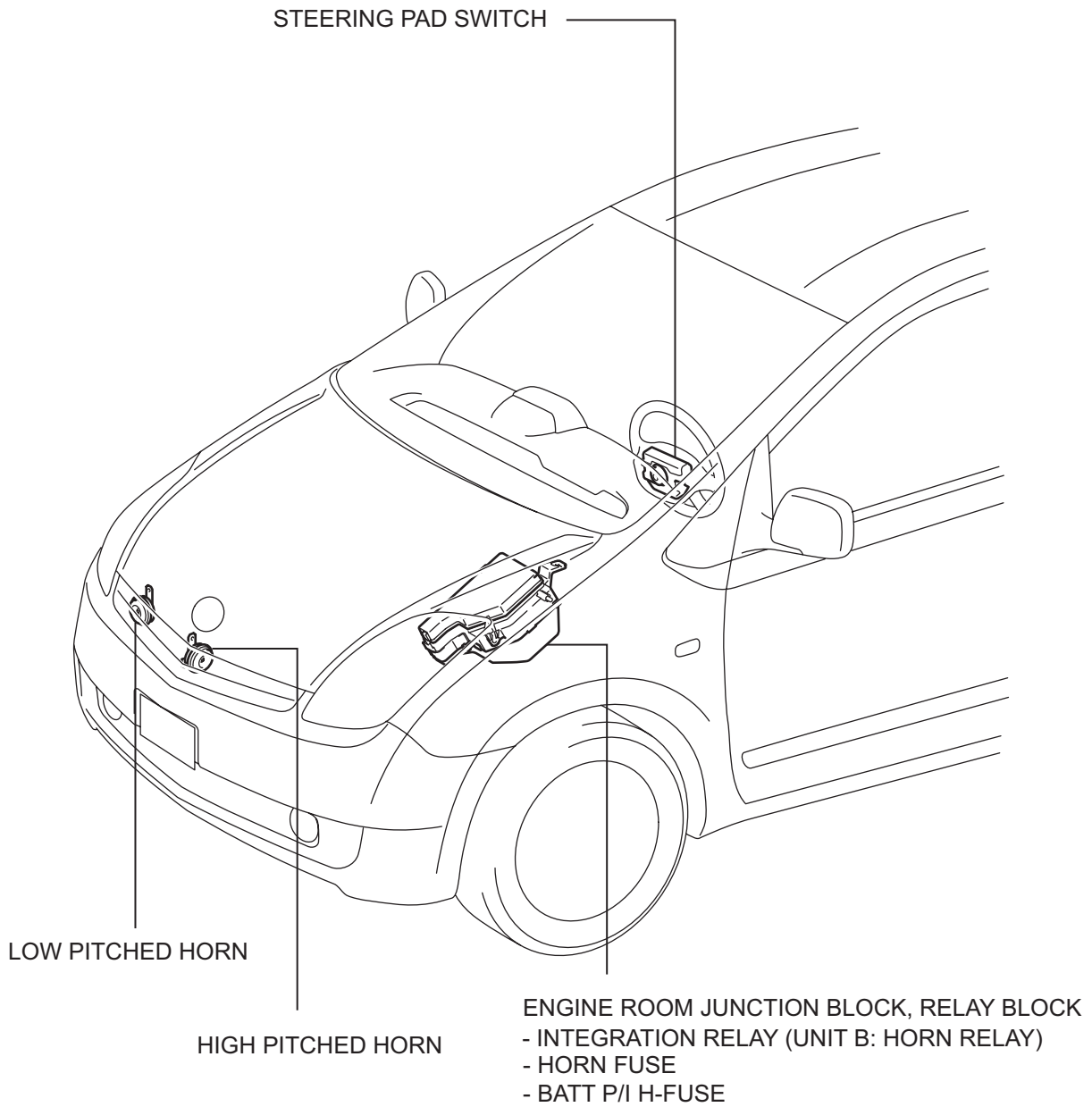


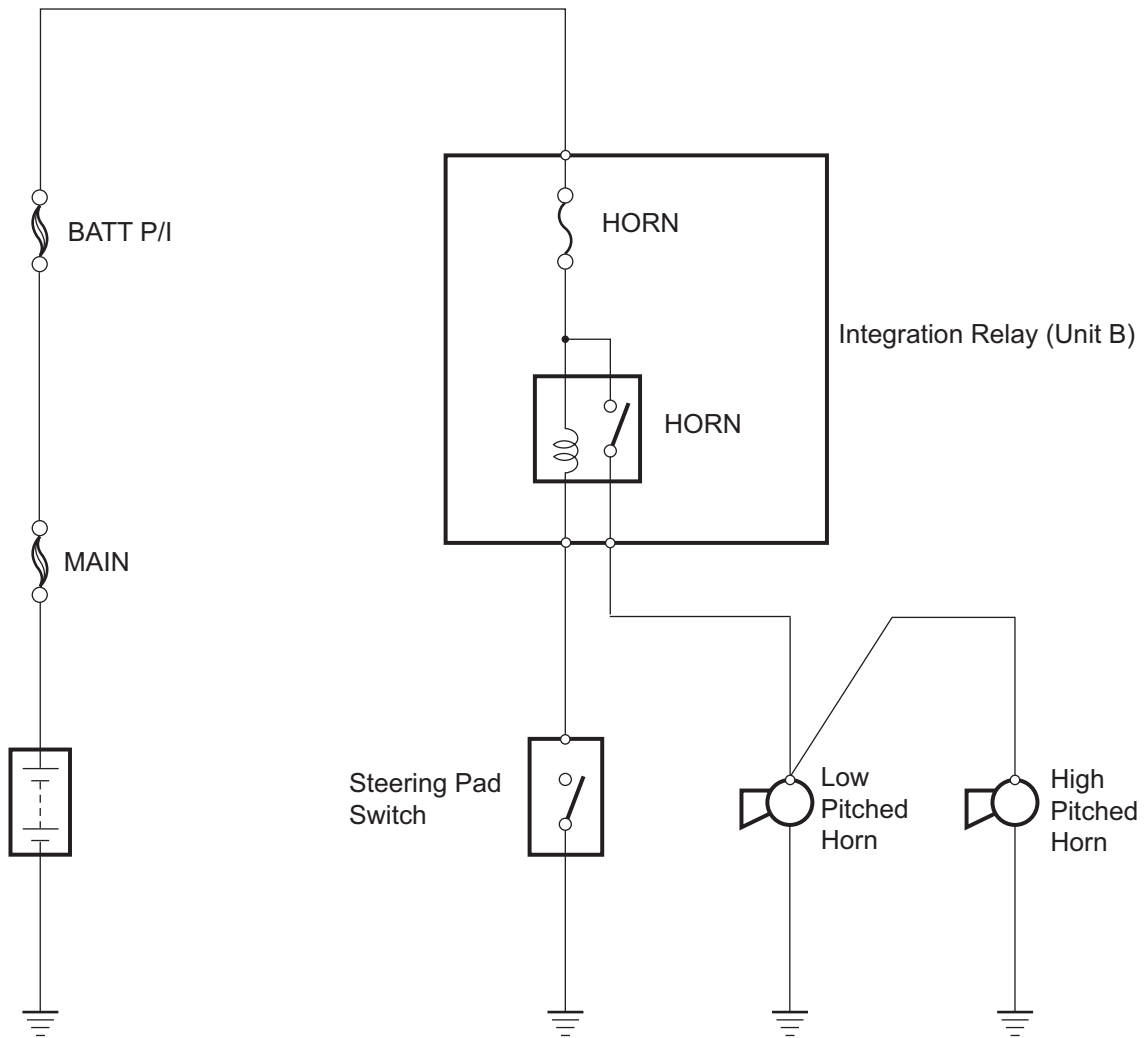
HORN SYSTEM

PARTS LOCATION



HO

SYSTEM DIAGRAM



HO

PROBLEM SYMPTOMS TABLE

HINT:

Use the table below to help determine the cause of the problem symptom. The potential causes of the symptoms are listed in order of probability in the "Suspected area" column of the table. Check each symptom by checking the suspected areas in the order they are listed. Replace parts as necessary.

Horn system

Symptom	Suspected area	See page
Horn does not sound	1. HORN fuse	HO-1
	2. HORN relay	HO-4
	3. High pitched horn	HO-8
	4. Low pitched horn	HO-6
	5. Steering pad switch	-
	6. Spiral cable	-

INTEGRATION RELAY

ON-VEHICLE INSPECTION

1. DISCONNECT CABLE FROM NEGATIVE BATTERY TERMINAL

CAUTION:

Wait at least 90 seconds after disconnecting the cable from the negative (-) battery terminal to prevent airbag and seat belt pretensioner activation.

2. INSPECT FUSE (HORN)

(a) Measure the resistance of the fuse.

Standard resistance:

Below 1 Ω

If the result is not as specified, replace the fuse.

3. INSPECT INTEGRATION RELAY (HORN RELAY)

(a) Using a screwdriver, detach the 2 claws and disconnect the integration relay from the engine room No. 1 junction block.

HINT:

Tape the screwdriver tip before use.

(b) Disconnect the 3 connectors from the integration relay.

(c) Measure the resistance of the HORN relay.

Standard voltage

Tester Connection	Specified Condition
3J-8 - 3K-1	10 k Ω or higher
3J-8 - 3K-1	Below 1 Ω (when battery voltage is applied to terminals 3J-7 and 3K-1)

If the result is not as specified, replace the integration relay.

(d) Connect the 3 connectors to the integration relay.

(e) Install the integration relay to the engine room No. 1 junction block.

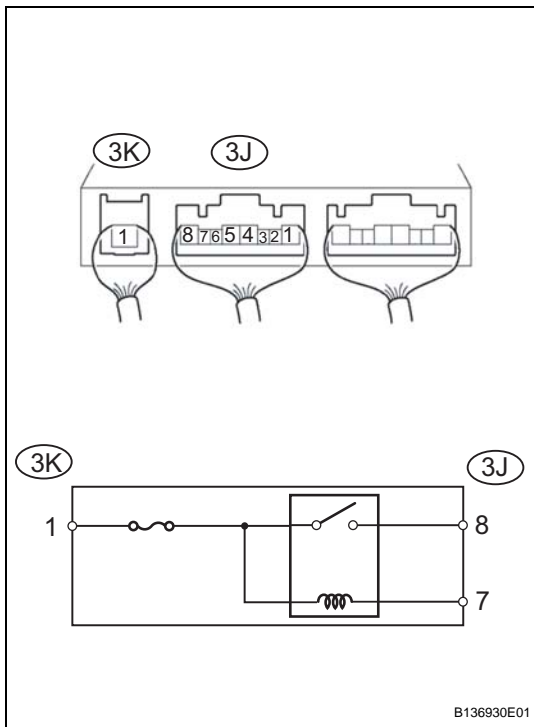
4. CONNECT CABLE TO NEGATIVE BATTERY TERMINAL

5. PERFORM INITIALIZATION

(a) Perform initialization ([IN-32](#)).

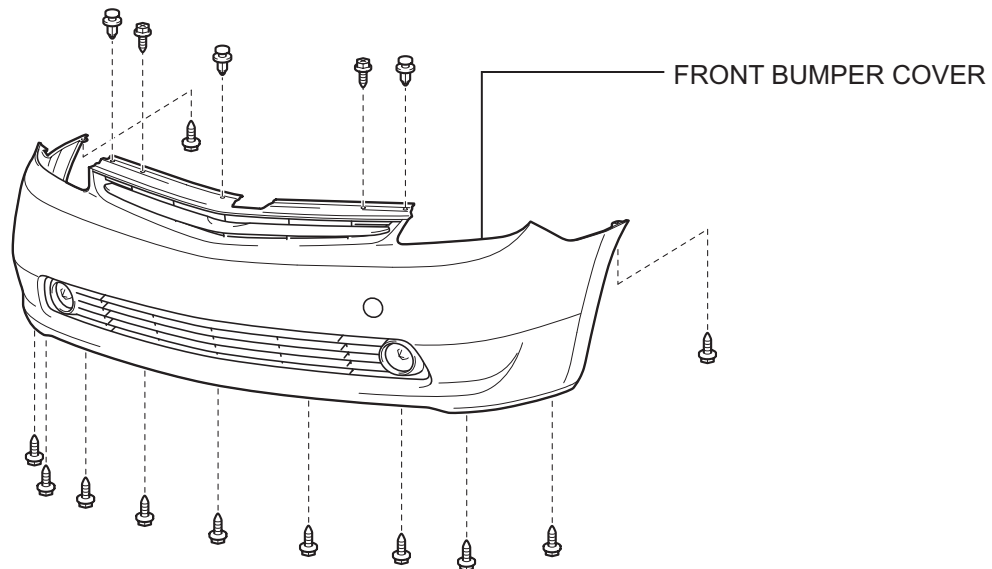
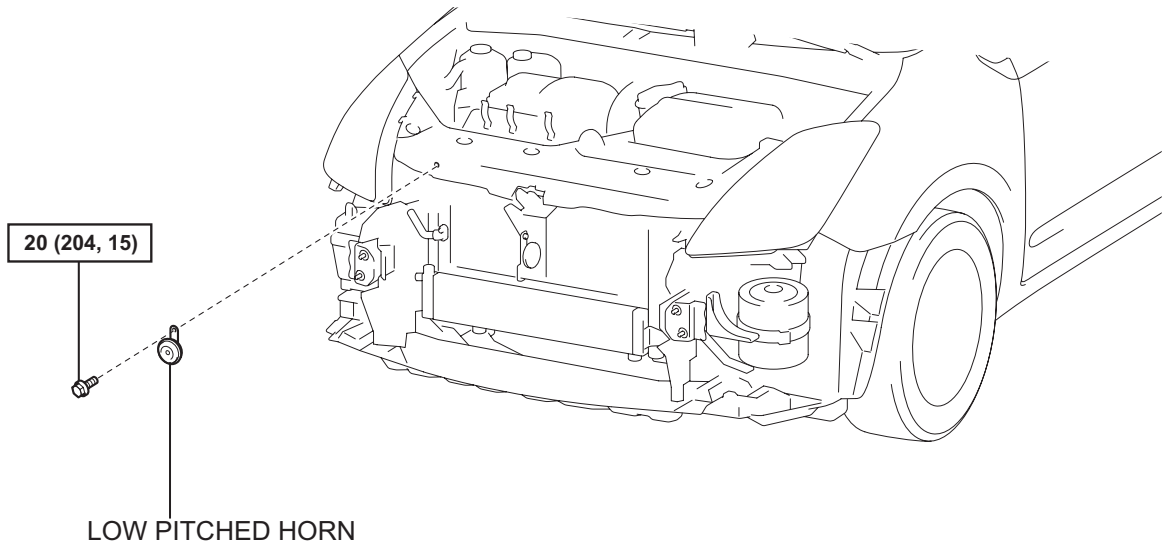
CAUTION:

Certain system need to be initialized after disconnecting and reconnecting the cable from the negative (-) battery terminal.



LOW PITCHED HORN

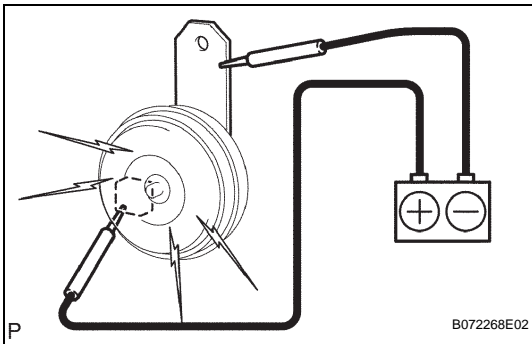
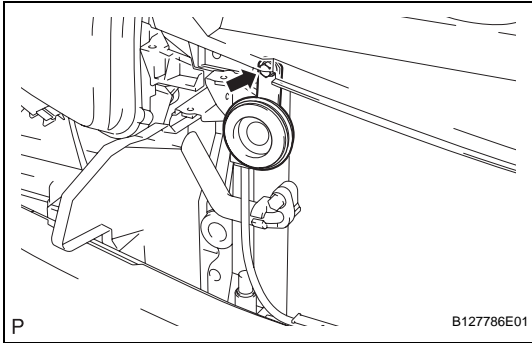
COMPONENTS



N*m (kgf*cm, ft.*lbf) : Specified torque

REMOVAL

1. REMOVE FRONT BUMPER COVER (See page [ET-4](#))
2. REMOVE LOW PITCHED HORN
 - (a) Disconnect the horn connector.
 - (b) Remove the bolt and horn.



INSPECTION

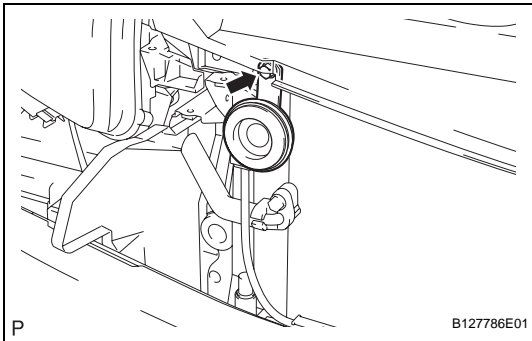
1. INSPECT LOW PITCHED HORN
 - (a) Apply battery voltage to the horn and check the operation of the horn.
OK

Measurement Condition	Specified Condition
Battery positive (+) → Terminal 1	Horn sounds
Battery negative (-) → Horn bracket	

If the result is not as specified, replace the horn.

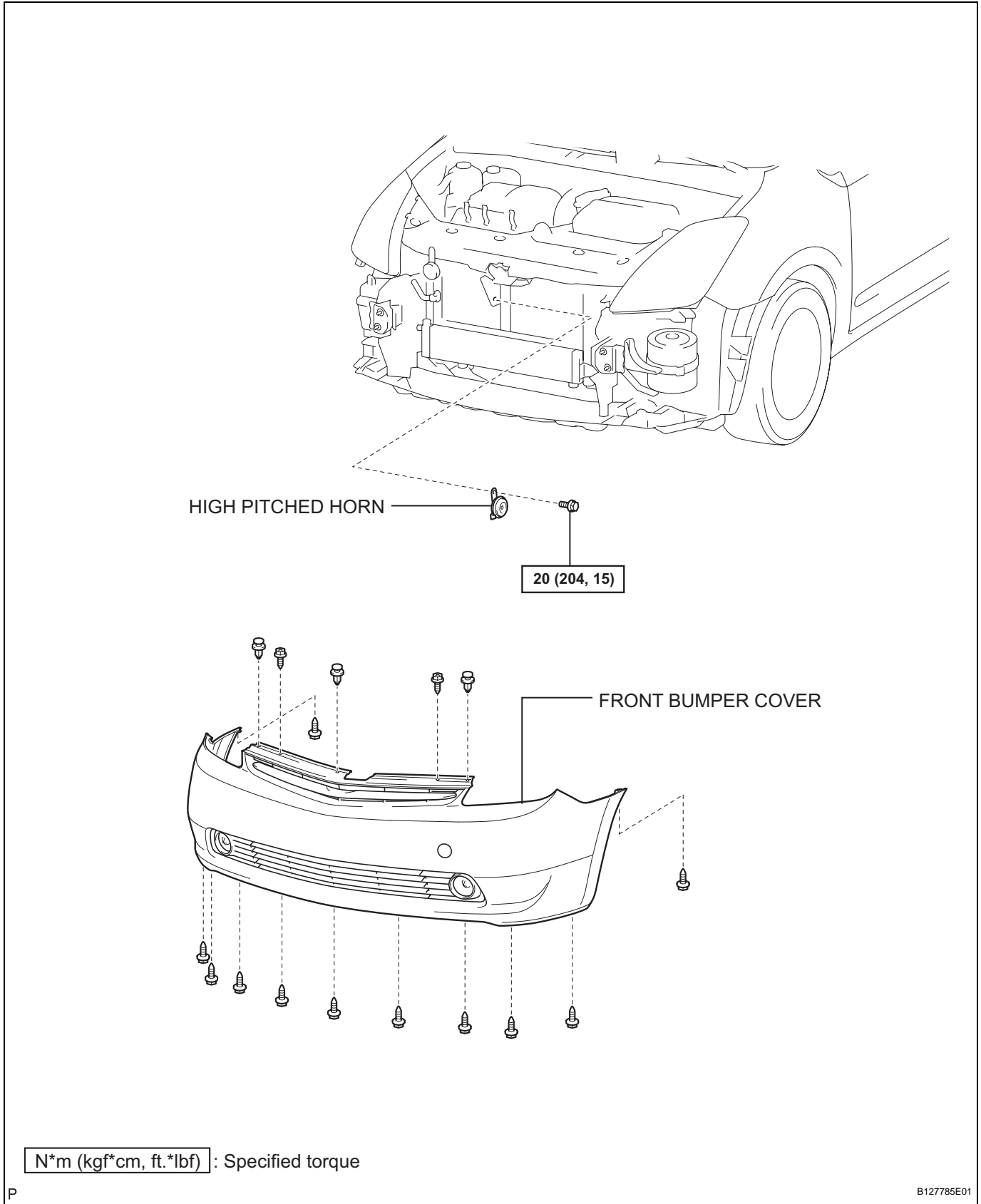
INSTALLATION

1. INSTALL LOW PITCHED HORN
 - (a) Place the stay onto the baffle part of the radiator support upper, and then install the horn with the bolt.
Torque: 20 N*m (204 kgf*cm, 15 ft.*lbf)
NOTICE:
Do not overlap the horn and the protruding part of the radiator support.
 - (b) Connect the horn connector.
2. INSTALL FRONT BUMPER COVER (See page [ET-6](#))



HIGH PITCHED HORN

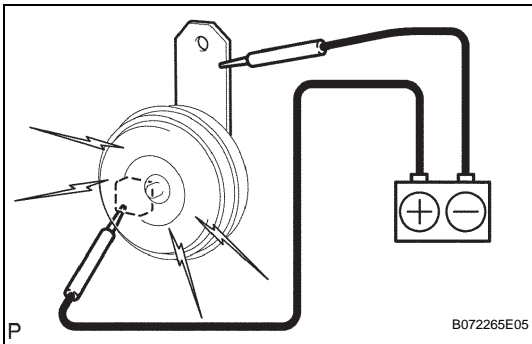
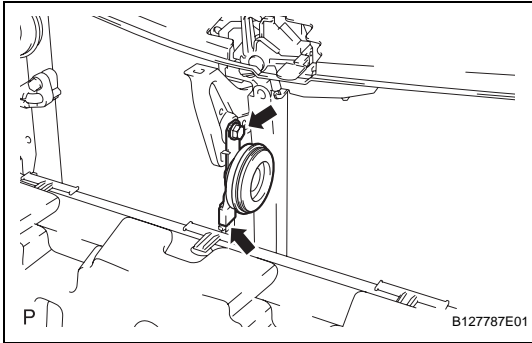
COMPONENTS



HO

REMOVAL

1. REMOVE FRONT BUMPER COVER (See page [ET-4](#))
2. REMOVE HIGH PITCHED HORN
 - (a) Disconnect the horn connector.
 - (b) Remove the bolt and horn.



INSPECTION

1. INSPECT HIGH PITCHED HORN
 - (a) Apply battery voltage to the horn and check the operation of the horn.

OK

Measurement Condition	Specified Condition
Battery positive (+) → Terminal 1	Horn sounds
Battery negative (-) → Horn bracket	

If the result is not as specified, replace the horn.

INSTALLATION

1. INSTALL HIGH PITCHED HORN
 - (a) Place the stay onto the baffle part of the radiator support upper, and then install the horn with the bolt.

Torque: 20 N*m (204 kgf*cm, 15 ft.*lbf)

NOTICE:
Do not overlap the horn and the protruding part of the radiator support.
 - (b) Connect the horn connector.
2. INSTALL FRONT BUMPER COVER (See page [ET-6](#))

